



Product Highlights

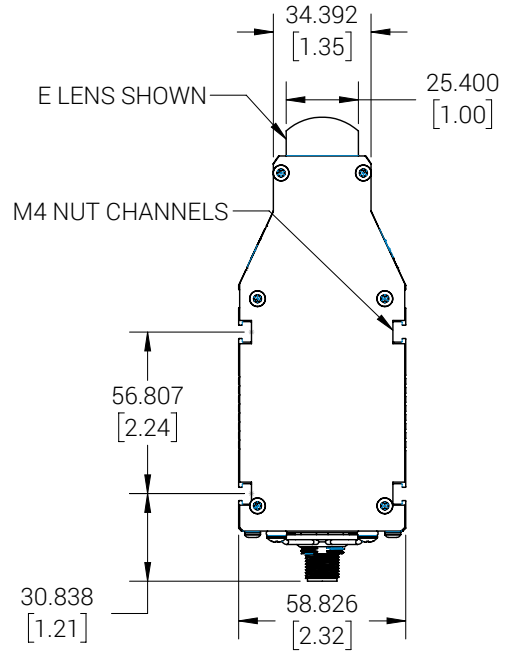
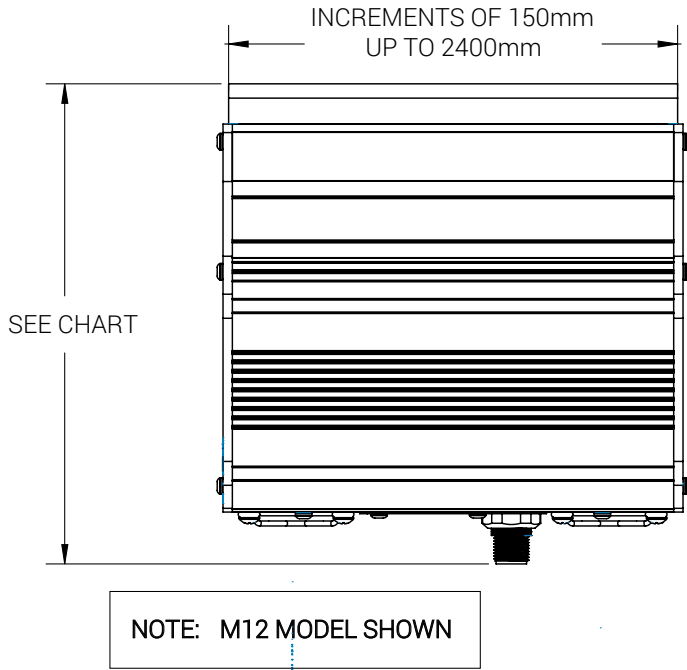
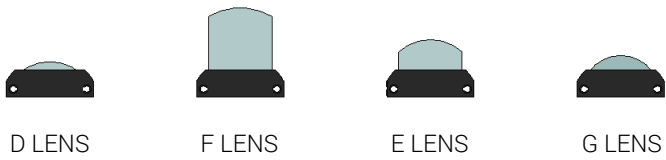
- 2.1 **Million** lux @ 75mm working distance
- High intensity focused line light for line-scan applications
- 10X brightness increase over the LL137
- Four lens options available based on working distance
- Expandable in 150mm increments from 150 to 2400mm
- M12 cable option



General Specifications

Electrical Specifications	Color	Current Limits Based on Power Supply
	625	Please see page 4
	455, 530, WHI	Please see page 4
Normal Operating Temperature	0 - 60°C	
Weight (g)	300mm model - 4.59lbs (73.4 oz)	
Standard Cable Information	No cable included. Please see page 5.	
Photobiological Risk Factor IEC 62471	Group 3 (High Risk) Applicable Wavelengths: 455, 530, 625, WHI	
Compliance		
IP Rating	Not Rated	
Lumen Maintenance	L70 = 50,000 hours	

Mechanical Specifications



Measurements shown in mm [inches]

PUSH TERMINAL HEIGHT MATRIX

LENS TYPE	HEIGHT IN MM (INCHES)
D	143.94 [5.67]
F	162.99 [6.42]
E	150.30 [5.92]
G	141.48 [5.57]

M12 HEIGHT MATRIX

LENS TYPE	HEIGHT IN MM [INCHES]
D	156.89 [6.18]
F	175.94 [6.93]
E	163.25 [6.43]
G	154.43 [6.08]

Part Number Key

Model	Lens Type	—	Lit Length	Spectral Wavelength	Connector/Control
LL230	X	—	XXXX	XXX	XX(X)
LL230	D E F G		Increments of 150mm Max of 2400mm	(royal blue) 455 (green) 530 (red-orange) 625 (white) WHI	PT ¹ M12
Ex: LL230D-0150625PT LL230G-2250455M12				¹ PT = Push Terminal Connector; see wiring section for diagram	

Lens	Working Distance	Beam Width
D	50mm (2")	3.04mm (0.12")
E	75mm (3")	3.04mm (0.12")
F	150mm (6")	5.08mm (0.20")
G	300mm (12")	10.16mm (0.40")
	600mm (24")	17.78mm (0.70")
	900mm (36")	30.48mm (1.20")
	1200mm (48")	38.10mm (1.50")

Stock Product: shipped within 3 days

TBD

Build to Order: 1650mm and above shipped within three weeks

All others shipped within two weeks



(left) Push Terminal Shown

NOTE: PT is positioned on the **right** side of the back plate.

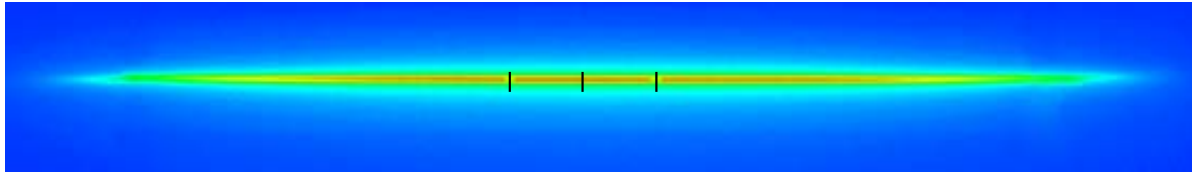


(left) M12 Shown

NOTE: M12 is positioned on the **left** side of the back plate.

Optical Performance

Intensity Distribution

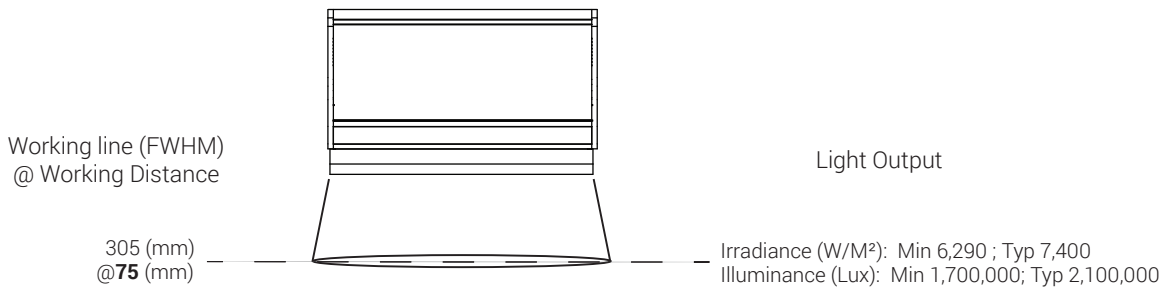


Optical measurement taken using LL230E0300-WHIPT@ 75mm

25mm

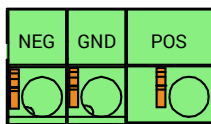


Area of Illuminance & Intensity

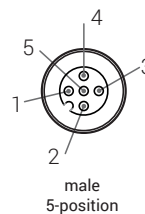


Power and Wiring

Push Terminal Connector



Optional M12



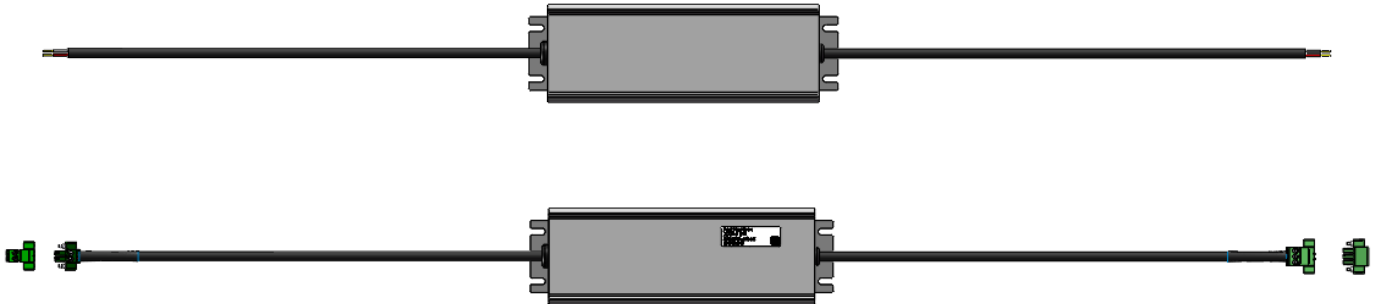
M12

Pin (M12)	Function
1	+VDC
2	+VDC
3	DC GND
4	DC GND
5	NC

Current Source Options

Manual Controlled, CS4805-M or CS4805-M-CN

Advanced illumination is now offering the option to purchase the required current source at the time of the LL230 purchase. Power supply comes with tinned leads, they will need to be cut back and left un-tinned.



Analog Controlled, CS4805-A or CS4805-A-CN

Power supply comes with tinned leads, they will need to be cut back and left un-tinned.



M12 Cable Option Only



Warranty Information

Every Advanced illumination, Inc. (Ai) product is thoroughly inspected and tested before leaving the factory. Products are warranted to be free of defects in workmanship and materials for a period of two years from the original date of purchase. Should a defect develop during this period, please contact Ai Customer Service or your Ai distributor for a Return Merchandise Authorization (RMA), and return the complete product, freight prepaid, to Ai. If a defect is found, Ai will - at our discretion - repair or replace the product without charge. Ai claims no liability for any implied warranties, including "merchantability" and "fitness for a specific purpose."

Electromagnetic Compatibility

This product was tested and complies with the regulatory requirements and limits for electromagnetic compatibility (EMC) as stated in the product specifications. These requirements and limits are designed to provide reasonable protection against harmful interference only when the product is operated in its intended industrial electromagnetic environment. To minimize the potential for electromagnetic interference or unacceptable performance degradation, install and use this product in strict accordance with the instructions in the product documentation.

Customer Service

For information on existing orders, or to make an order adjustment, contact us Monday through Friday 8:00 am to 5:00 pm ET or send an email to orders@advill.com.

Company Information

Advanced Illumination

440 State Garage Road, Rochester VT. 05767

Phone: 802.767.3830

Fax: 802.767.3831

Email: info@advancedillumination.com

Web: advancedillumination.com

© 2015 Advanced Illumination Inc. All rights reserved