

AL4424

4" Broad Area Linear Array



- Aii** Provides very even illumination along the 100mm length of the light, with controlled "fall off" in the transverse direction.
- Aii** Designed to provide low angle of incidence illumination over a long, wide area.

Ordering Information

Standard Product:
Shipped Next Day

AL4424-660

Configured for use with Ai
Power Supply

AL4424-66024

Configured for use with user
supplied 24vDC power

Standard Product Variation:
Shipped Within Two Weeks

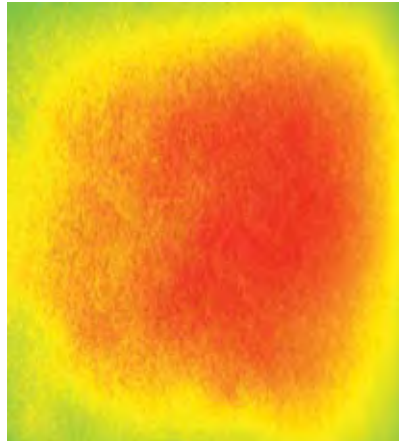
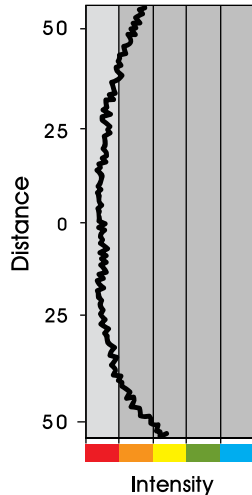
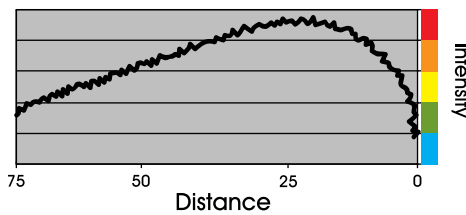
AL4424	-	XXX	XX	XXX
		Spectral wavelength	Optional power Compatibility	Alternative Connector
		(UV) 395 *	IC	M12*
		(blue) 470 †	IS	
		(green) 520 †	C2	
		(yellow) 590	C3	
		(orange) 625	C5	
		(red) 660	12	
		(infra-red) 880	24	
		(white) WHI †		

IC = iCS (requires 24v power supply)
IS = iSU (requires 24v power supply)
C2 = Ai Connector
C3 = Pulsar 710 Connector
C5 = Pulsar 320 Connector
* Available with IC, IS, and 24v options only
† Not available in 12v

*UV LEDs have a considerably shorter half-life than other LEDs (<1000hrs). For this reason Ai recommends these LEDs be used in strobe mode only. For applications requiring continuous 24v power, contact Ai for assistance.

Light Consistency Information

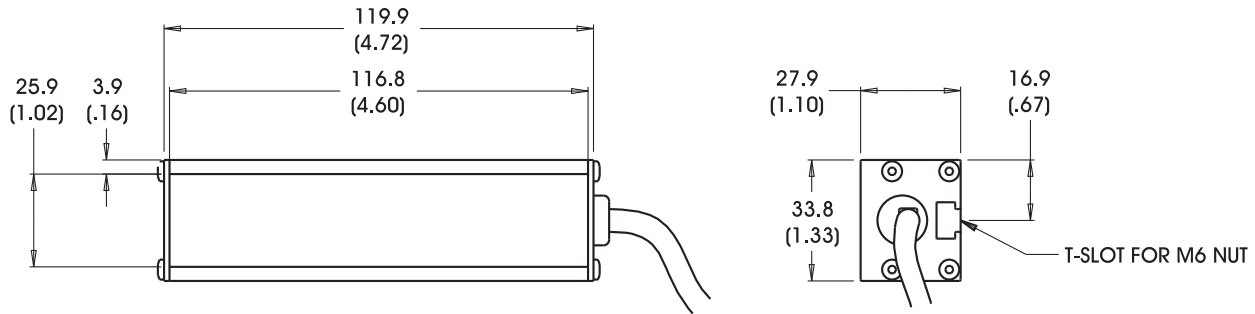
Intensity Distribution



Intensity Cross Section

Dimensional Information

[Click for Installation Models & Drawings](#)



Cable Length: 1.5 Meter (4.9')

DIMENSIONS ARE IN MILLIMETERS (INCHES)

Standard Variation Current Specifications

	blue	green	yellow	orange	red	infra-red	white	RGB	
@12	N/A	N/A	80	80	120	120	N/A	N/A	mA
@24	80	80	40	40	60	60	80	N/A	mA
Ai	80	80	80	80	120	120	80	N/A	mA

General Specifications

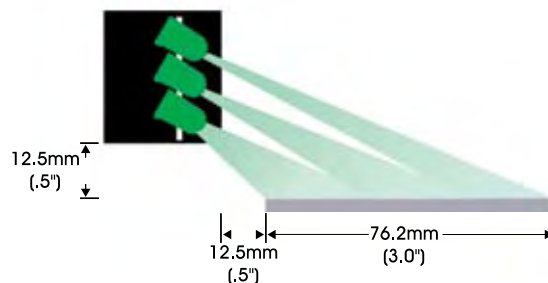
Weight:	227 g (.51lb)
Finish:	Black Anodized
Operating Temperature:	0-60°C
Meets Specifications:	CE, RoHS

Standard Product Information

Red	Max. Illumination	Irradiance (mW/cm ²)	Illuminance (Lux)
	Working Distance: 1.5"/.5"	.26	N/A
	Working Distance: 3.0"	.95	N/A
	Lifetime	50,000 hrs	
White	Max. Illumination	Irradiance (mW/cm ²)	Illuminance (Lux)
	Working Distance: 2.0"/.5"	.61	2,000
	Working Distance: 3.0"	1.47	4,500
	Lifetime	10,000 hrs	

Additional Information

Light Set Up Diagram



802.767.3830