

CBXXYY

Expandable Collimated Surface Mount LED Back Light



Aii Collimation greatly improves edge detection of curved objects

Aii Available in 1" increments up to 16" x 16"

Ordering Information

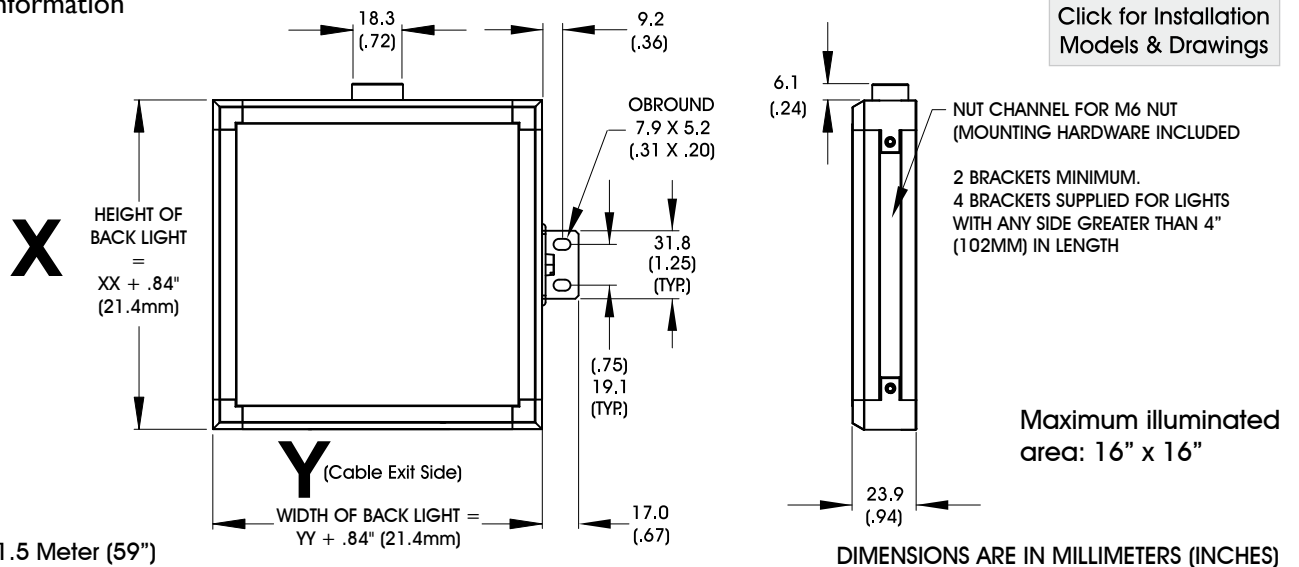
Standard Product Variation:
Red & White: Shipped Within Two Weeks
Blue & Infra-red: 4 Weeks **Green:** 6 weeks

"H" "W" in inches	Spectral wavelength	Optional power Compatibility	Alternative Connector
CB XX YY	XXX	XX	XXX
# indicates cable exit side	(blue) 470 † (green) 520 † (red) 660 ⊕ (infra-red) 880 ⊕ (white) WHI †	IC IS C2 C3 C5 24	M12* (male)

IC = iCS (requires 24v power supply)
 IS = ISU (requires 24v power supply)
 C2 = Ai Connector
 C3 = Pulsar 710 Connector
 C5 = Pulsar 320 Connector
 * Available with IC, IS, and 24v options only
 † Not available in 12v
 ⊕ IS option not available

Built-to-order lights are non-returnable.

Dimensional Information



Cable Length: 1.5 Meter (59")

Standard Variation Current Specifications

Maximum draw per 25mm x 25mm (1" x 1") length

	blue	green	red	infra-red	white	
@12	N/A	N/A	60	60	N/A	mA
@24/Ai	20	20	30	30	20	mA

Standard Product Information

Product Lifetime:	50,000 hours
Operating Temperature:	0-60° C