

CS300

Dual Output Constant Current Source



- Aii** A true constant current device, providing consistent, optimized power levels.
- Aii** Signatech signature recognition technology detects the attached light head and sets optimal current levels automatically.

Ordering Information

Standard Product:
Shipped Next Day

Standard Product Variation:
Shipped Next Day

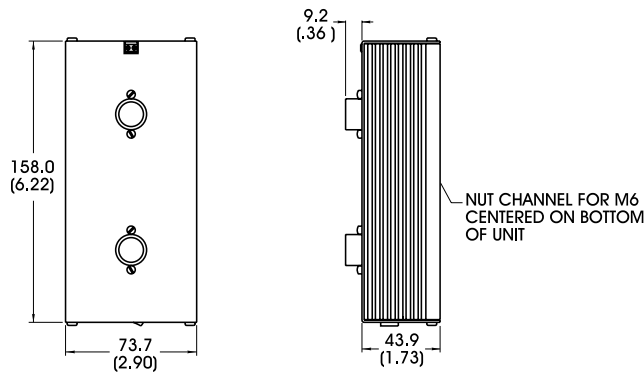
CS300

P/N: CS300

CS300 - **XX**
IC

Optional
Intensity
Control

Dimensional Information



DIMENSIONS ARE IN MILLIMETERS (INCHES)

Additional Information

Power Requirements:
1Amp @ 24vDC

Optional Power Supply:
Shipped Next Day

P/N: PS-24TL

Description: 24volt power source with tinned leads

Standard Product Information

Operating Temperature: 0-55° C



Meets CE standards