

## DL083

### Flat Diffuse Illuminator



- 4i** Space saving design for highly reflective objects
- 4i** 8" x 8" diffuse illuminator with 1.75" aperture, and M6 nut channel for mounting

#### Ordering Information

Standard Product:  
Shipped Next Day

Standard Product Variation:  
Shipped Within Two Weeks

**DL083-66024**

Configured for use with User  
supplied 24v power source

**Effective Working Range:**  
75-300mm (3"-12")

	Spectral wavelength	Optional power Compatibility	Alternative Connector
DL083 -	XXX	XX	XXX
	(blue) 470 †	IC	M12* (male)
	(green) 520 †	C5	
	(red) 660	12	
	(infra-red) 880	24	
	(white) WHI †		

IC = ICS (requires 24v power supply)

C5 = Pulsar 320 Connector

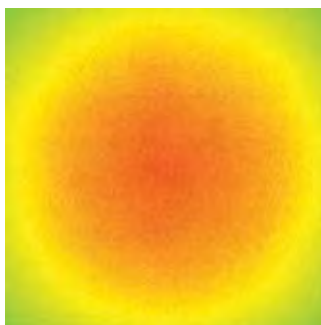
\* Available with IC and 24v options only

† Not available in 12v

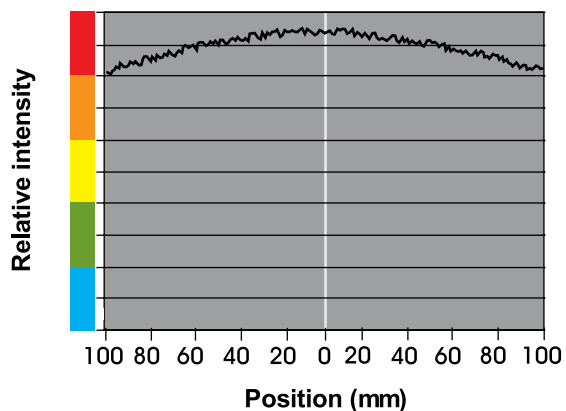
#### Light Consistency Information

(Standard Product: DL083-66024-001 @ 300mm)

Intensity Distribution

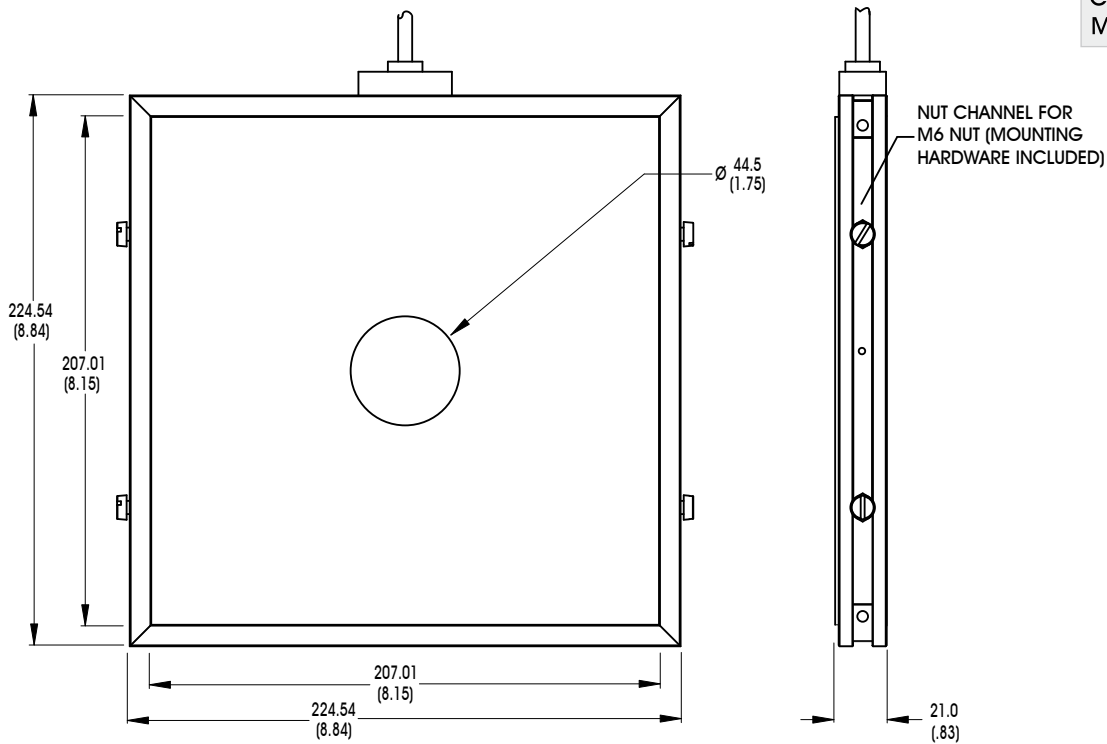


Intensity Cross Section



Dimensional Information

[Click for Installation Models & Drawings](#)



Cable Length: 1.5 Meter (59")

DIMENSIONS ARE IN MILLIMETERS (INCHES)

Standard Variation Current Specifications

	blue	green	red	infra-red	white	
@12	2400	2400	3600	3600	2400	mA
@24	1200	1200	1800	1800	1200	mA

Standard Product Information

Red	Max. Illumination	Irradiance (mW/cm <sup>2</sup> )	Illuminance (Lux)
	Working Distance: 150mm	64.4	375
	Working Distance: 300mm	23.0	130
	Lifetime	50,000 hrs	

General Specifications

Weight: 907.2 g (2 lbs)  
 Finish: Black Anodized  
 Operating Temperature: 0-60°C  
 Meets Specifications: CE, RoHS

Additional Information

