

## DL097

### High Brightness LED Diffuse Dome

- Aii** 3x brighter than standard LEDs in the DL9160 dome
- Aii** Rugged metal construction.



#### Ordering Information

Standard Product:  
Shipped Next Day

#### DL097-WHIIC

Configured with in-line current source (ICS)

#### DL097-625IC

Configured with in-line current source (ICS)

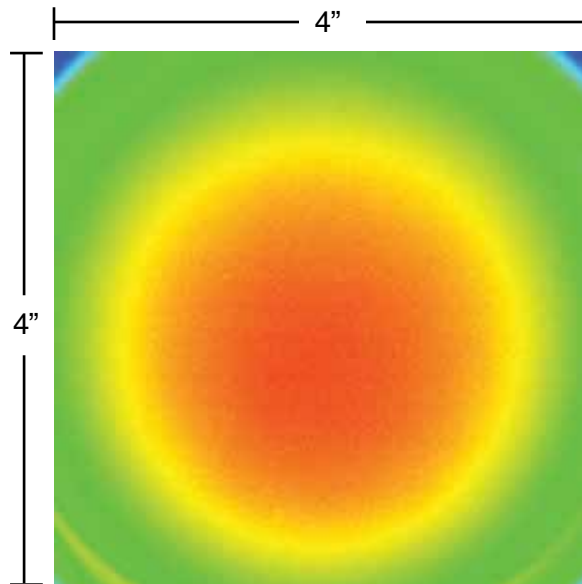
Standard Product Variation:  
Shipped Within Two Weeks

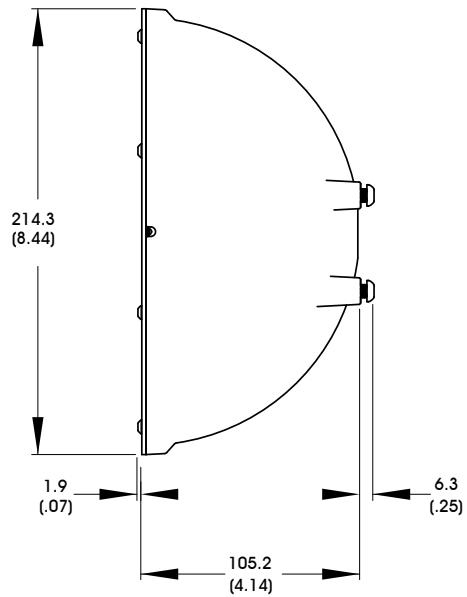
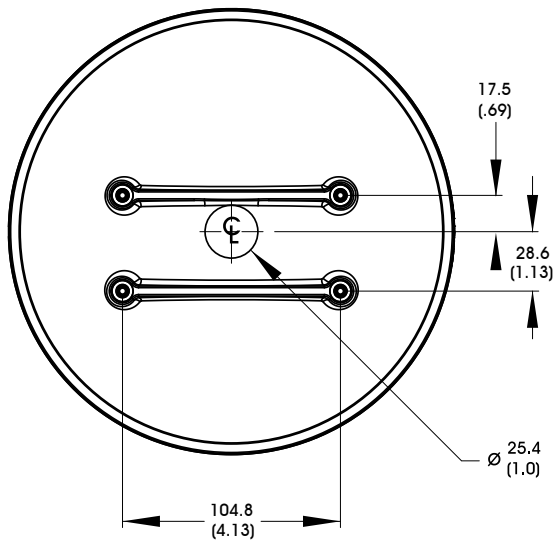
	Spectral wavelength	Optional power compatibility	Alternative Connector
DL097 -	XXX	XX	XXX
(blue)	470	IC	M12* (male)
(green)	530	IS	
(amber)	590♦	C2	
(red)	625♦	C3	
(IR)	850	C5	
(white)	WHI	24	
(all color)	RGB!♦		

IC = ICS (requires 24v power supply)  
 IS = ISU (requires 24v power supply)  
 C2 = Ai Connector  
 C3 = Pulsar 710 Connector  
 C5 = Pulsar 320 Connector  
 \* Available with IC and IS options only  
 ♦ Not available in 24v version  
 ! - Not available in IC, IS or C5

**Optimal working distance:**  
25.4mm (1")  
**Effective Working Range:**  
12.7-50mm (.5"-2")

#### Intensity Distribution





Cable Length: 1.5 Meter (59")

DIMENSIONS ARE IN MILLIMETERS (INCHES)

Standard Variation Current Specifications

	blue	green	amber	red	infra-red	white	
Ai / iCS	700	700	700	700	700	700	mA

Standard Product Information

Red	Max. Illumination	Irradiance (mW/cm <sup>2</sup> )	Illuminance (Lux)
	Working Distance: 25mm (1")	3.25	7,700
	Lifetime	50,000 hrs	
White	Max. Illumination	Irradiance (mW/cm <sup>2</sup> )	Illuminance (Lux)
	Working Distance: 25mm (1")	3.48	15,300
	Lifetime	50,000 hrs	

General Specifications

Weight:	1,728 g (60.8 oz)
Finish:	Black Anodized
Operating Temperature:	0-60°C
Meets Specifications:	CE, RoHS

Optional Mounting Bracket  
Part Number: LB106

