

DL2230

Diffuse Dome Light



- Aii** A modified, extremely efficient integrating light source
- Aii** Compact, space saving design - ideally suited for inspecting small, specular objects

Ordering Information

Standard Product:
Shipped Next Day

DL2230

P/N: DL2230-660
Configured for use with Ai
Power Supply

Standard Product Variation:
Shipped Within Two Weeks

	Spectral wavelength	Optional power Compatibility	Alternative Connector
DL2230 -	XXX	XX	XXX
	(UV) 395 [◇]	IC	M12* (male)
	(blue) 470 [†]	IS	
	(green) 520 [†]	C2	
	(yellow) 590	C3	
	(orange) 625	C5	
	(red) 660	12	
	(infra-red) 880	24	
	(White) WHI [†]		

IC = ICS (requires 24v power supply)

IS = ISU (requires 24v power supply)

C2 = Ai Connector

C3 = Pulsar 710 Connector

C5 = Pulsar 320 Connector

* Available with IC, IS, and 24v options only

† Not available in 12v

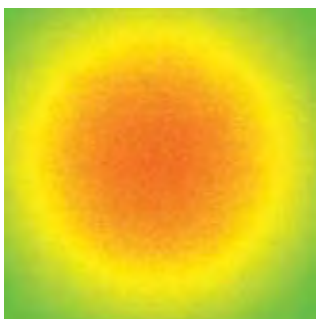
Optimal working distance:
12.7mm (.5")

Effective Working Range:
12.7-50mm (.5"-2")

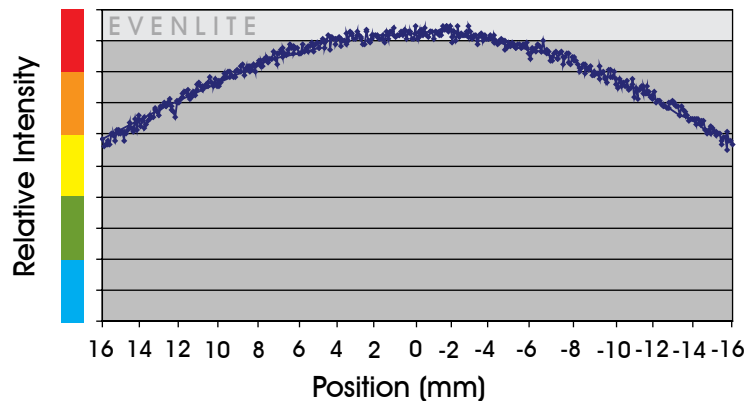
◇ UV LEDs have a considerably shorter half-life than other LEDs (<1000hrs). For this reason Ai recommends these LEDs be used in strobe mode only. For applications requiring continuous 24v power, contact Ai for assistance.

Light Consistency Information

Intensity Distribution

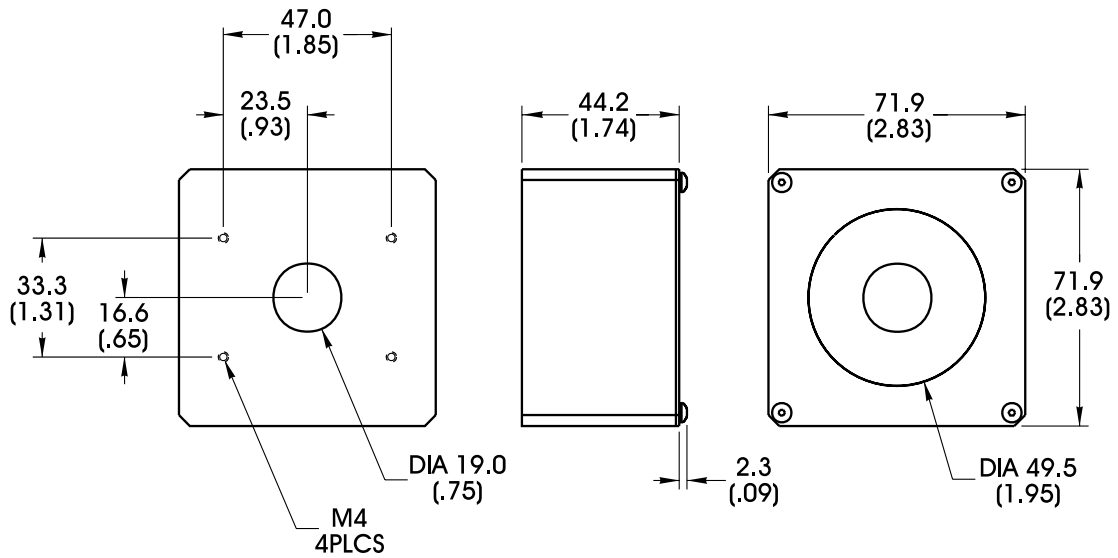


Intensity Cross Section



Dimensional Information

[Click for Installation Models & Drawings](#)



DIMENSIONS ARE IN MILLIMETERS (INCHES)

Cable Length: 1.5 Meter (59")

Standard Variation Current Specifications

	blue	green	yellow	orange	red	infra-red	white	RGB	
@12	N/A	N/A	120	120	120	120	N/A	N/A	mA
@24	120	120	60	60	60	60	120	N/A	mA
Ai	240	240	120	120	120	120	240	N/A	

General Specifications

Weight:	438 g (15.4 oz)
Finish:	Black Anodized
Operating Temperature:	0-60°C
Meets Specifications:	CE, RoHS

Standard Product Information

Red	Max. Illumination	Irradiance (mW/cm ²)	Illuminance (Lux)
	Working Distance: 12.5mm	.99	790
	Working Distance: 25.4mm	.59	460
	Lifetime	50,000 hrs	
White	Max. Illumination	Irradiance (mW/cm ²)	Illuminance (Lux)
	Working Distance: 12.5mm	1.34	490
	Working Distance: 25.4mm	.81	290
	Lifetime	10,000 hrs	

Additional Information