

EL163

Line Light



- Aii** Designed for use with line scan cameras
- Aii** Available in 38mm (1.5") increments up to 80"

Ordering Information

Standard Product Variation:
Shipped Within Three Weeks

	Lens Type	Lighted Length (# of LEDs)	Spectral wavelength	Optional power Compatibility	Alternative Connector	
EL163	X	XXX	-	XXX	XX	XXX
A		6 LEDs =	(UV) 395 [◇]	IC	M12*	
B		38mm	(blue) 470 [†]	IS [△]		
D		(1.5")	(green) 520 [†]	C2		
E			(yellow) 590	C3		
			(orange) 625	C5		
			(red) 660	12		
			(infra-red) 880	24		
			(white) WHI [†]			

Lens & Aiming Information

	Lens Type A	Lens Type B	Lens Type D	Lens Type E
Working Distance	25mm	50mm	75mm	125mm
Line Width	6mm	9.5mm	13mm	16mm

IC = iCS (requires 24v power supply)
IS = iSU (requires 24v power supply) △ 660 & 880: 110 LEDs max.; WHI, 470 & 520: 220 LEDs max. Must be divisible by 4, 5, or 6

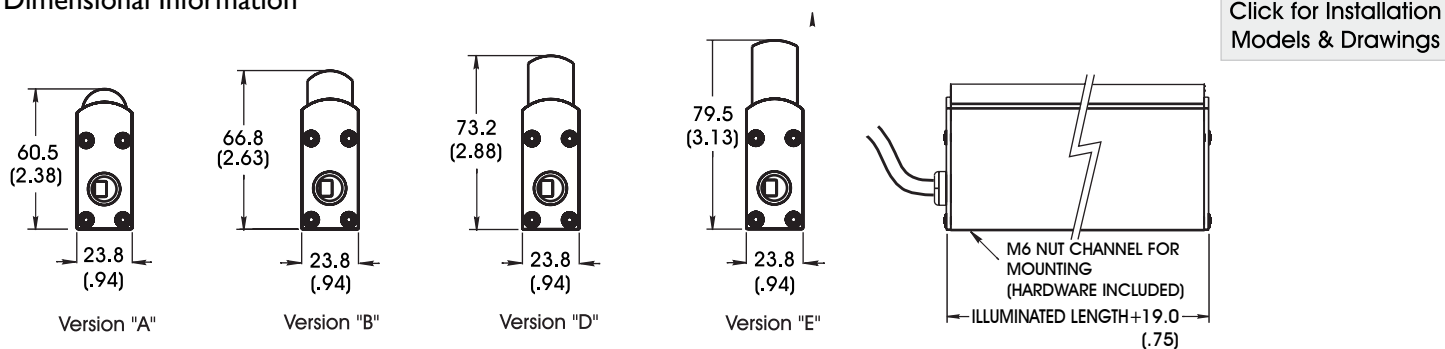
C2 = Ai Connector
C3 = Pulsar 710 Connector
C5 = Pulsar 320 Connector
* Available with IC, IS, and 24v options only

† Not available in 12v

◇ UV LEDs have a considerably shorter half-life than other LEDs (<1000hrs). For this reason Ai recommends these LEDs be used in strobe mode only. For applications requiring continuous 24v power, contact Ai for assistance.

Built-to-order lights are non-returnable.

Dimensional Information



[Click for Installation Models & Drawings](#)

Cable Length: 1.5 Meter (59")

DIMENSIONS ARE IN MILLIMETERS (INCHES)

Current Specifications

Maximum draw per 38mm (1.5") length

	blue	green	yellow	orange	red	infra-red	white	RGB	
@12	N/A	N/A	60	60	60	60	N/A	N/A	mA
@24	30	30	30	30	30	30	30	N/A	mA

Product Information

Product Lifetime:	10,000 hours (White) 50,000 hours (Red)
Operating Temperature:	0-60° C