

EL193

Surface Mount LED Back Light Strip



- 4i)** Extremely consistent light over the entire active area of illumination
- 4i)** Available in 25mm (1") increments up to 80"

Ordering Information

Standard Product Variation:
Shipped Within Three Weeks

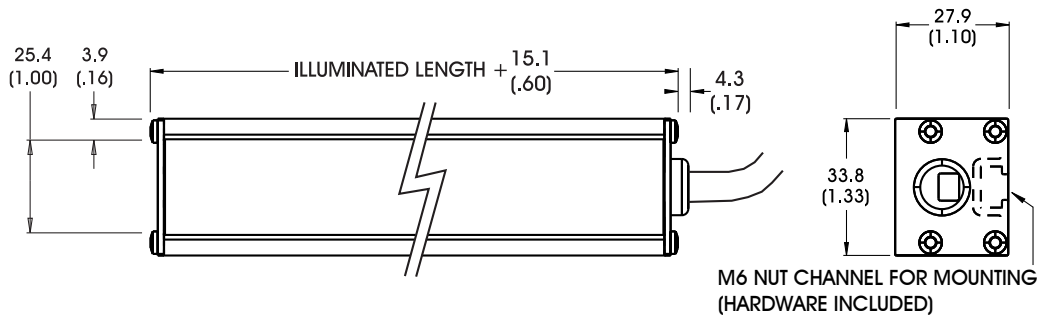
EL193	Illuminated Length (in inches)	Spectral wavelength	Optional power Compatibility	Alternative Connector
	XXX 1" increments	-	XX	XXX
		(blue) 470 [†] (green) 520 [†] (red) 660 (infra-red) 880 (white) WHI [†]	IC IS Δ C2 C3 C5 12 24	M12* (male)

IC = ICS (requires 24v power supply)
IS = ISU (requires 24v power supply)
Δ 660 & 880: 10 sq. inches max;
WHI, 470 & 520: 25 sq. inches max

C2 = Ai Connector
C3 = Pulsar 710 Connector
C5 = Pulsar 320 Connector
* Available with IC, IS, and 24v options only
† Not available in 12v

Built-to-order lights are non-returnable.

Dimensional Information



[Click for Installation Models & Drawings](#)

Cable Length: 1.5 Meter (59")

DIMENSIONS ARE IN MILLIMETERS (INCHES)

Current Specifications

Maximum draw per 25mm (1") length

	blue	green	yellow	red	infra-red	white	
@24	30	30	30	30	30	30	mA

Product Information

Product Lifetime: 50,000 hours

Operating Temperature: 0-65° C