

LL6212

High Intensity Line Light



- 4i)** Intense illumination for long working distanced or large area applications.
- 4i)** Works great in pairs to create a square area of illumination.

Ordering Information

Standard Product:
Shipped Next Day

LL6212-WHIIC

Configured with in-line Current Source

Standard Product Variation:
Shipped Within Two Weeks

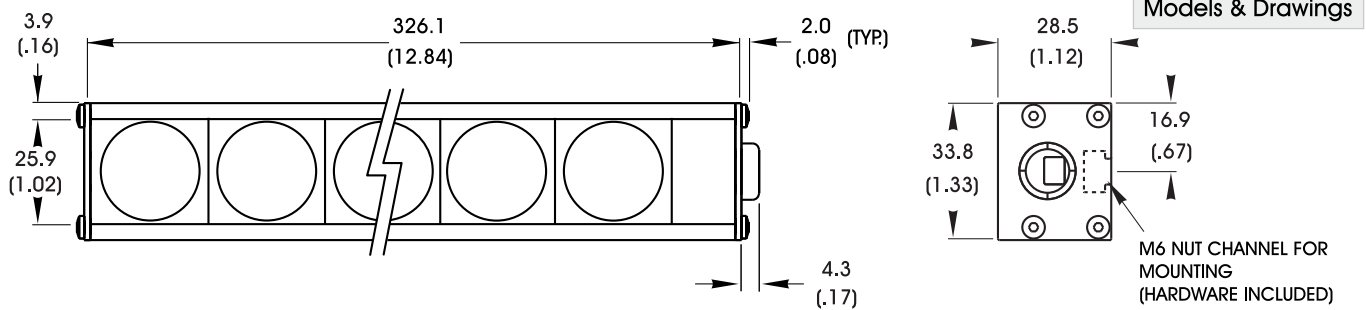
	Lens Option ^	Spectral wavelength	Optional power compatibility	Heat Sink	Wash Down Option	Optional Light Conditioning	Alternative Connector
LL6212	X	- XXX	X	X	X	X	XXX
	N	(uv) 395 [△]	IC	H	W	D [°] (Diffuser)	M12* (male)
	W	(blue) 470 (green) 530 (amber) 590 (red) 625 (infra-red) 850 [△] (white) WHI	IS 24 C2 C3 C5			P [°] (Polarizer)	

IC = iCS (requires 24v power supply)
 IS = iSU (requires 24v power supply)
 C2 = Ai Connector
 C3 = Pulsar 710 Connector
 C5 = Pulsar 320 Connector
 * Available with IC, IS, and 24v options only
 ° - Not available with Wash Down Option
 △ Available with Medium lens option only

Optimal working distance:
152.4mm (6") - 600mm (24")

^ Leave blank for Standard, Medium (M) Lens

Dimensional Information



[Click for Installation Models & Drawings](#)

Cable Length: 1.5 Meter (59")

DIMENSIONS ARE IN MILLIMETERS (INCHES)

Standard Variation Current Specifications								Standard Product Information	
	uv	blue	green	amber	red	infra-red	white		
@24	700	700	700	700	700	700	700	mA	Product Lifetime: 50,000 hours
									Operating Temperature: 0-60° C