

MS210

Dual Output Channel Mixer



- 4i)** Provides independent intensity control of four channels through dual slaved outputs.
- 4i)** Features industrialized power input terminal block as well as conventional DC jack.

Ordering Information

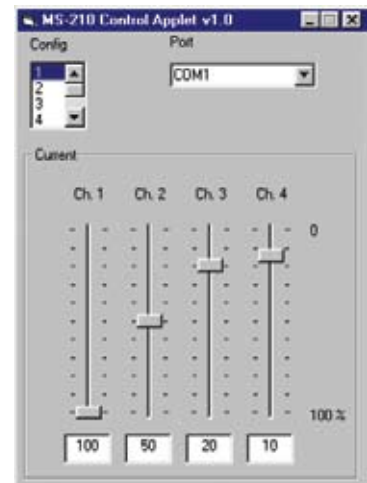
Standard Product:
Shipped Next Day

MS210

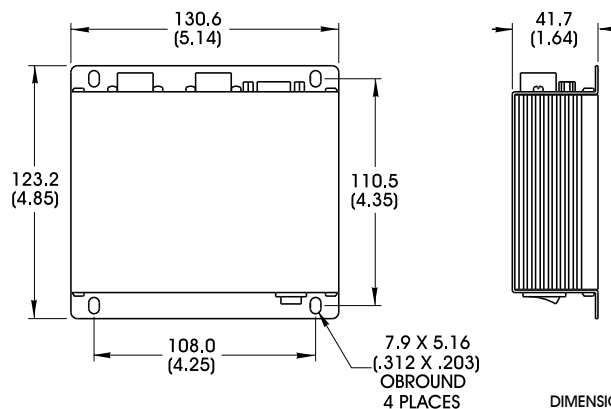
P/N: MS210

MS210 Control Applet

The MS210 Control Applet enables the user to program the intensity levels of each of four channels within a single light head when connected to an MS210 four channel intensity controller. Intensity is expressed as a percentage between 0 and 100 percent, where 0 percent represents minimum intensity and 100 percent maximum intensity. Maximum intensity is calculated based on the SignaTech signature of the light and various controller operating parameters.



Dimensional Information



Included in the package:

RS232 Cable
Software CD
Instruction Manual

Requires 24V DC Regulated Power Supply (not included)

Additional Information

Power Requirements:
1Amp @ 24vDC

Optional Power Supply:
Shipped Next Day

P/N: PS-24

Standard Product Information

Operating Temperature: 0-55° C



Meets CE standards