

RL113

High Brightness LED Bright Field Ring Light

- Aii** 24,000 lux from 12"
- Aii** High intensity from a long working distance
- Aii** IP65 compliant design



Ordering Information

Standard Product:
Shipped Next Day

RL113-WHIIC

Configured with in-line
current source

Standard Product Variation:
Shipped Within Two Weeks

	Spectral wavelength	Optional power compatibility	Alternative Connector
RL113 -	XXX	XX	XXX
(blue)	470	IC	M12*
(green)	530	IS	(male)
(amber)	590 ♦	C2	
(red)	625 ♦	C3	
(IR)	850	C5	
(white)	WHI	24	

IC = ICS (requires 24v power supply)

IS = ISU (requires 24v power supply)

C2 = Ai Connector

C3 = Pulsar 710 Connector

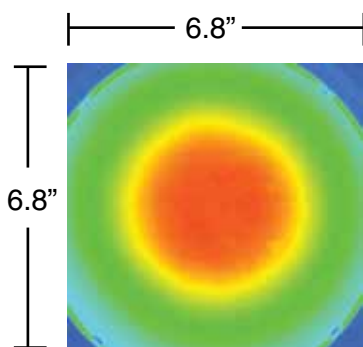
C5 = Pulsar 320 Connector

* Available with IC, IS, and 24v options only

♦ Not available in 24v version

Optimal working distance:
300mm (12")
Effective Working Range:
225mm - 600mm (9" - 24")

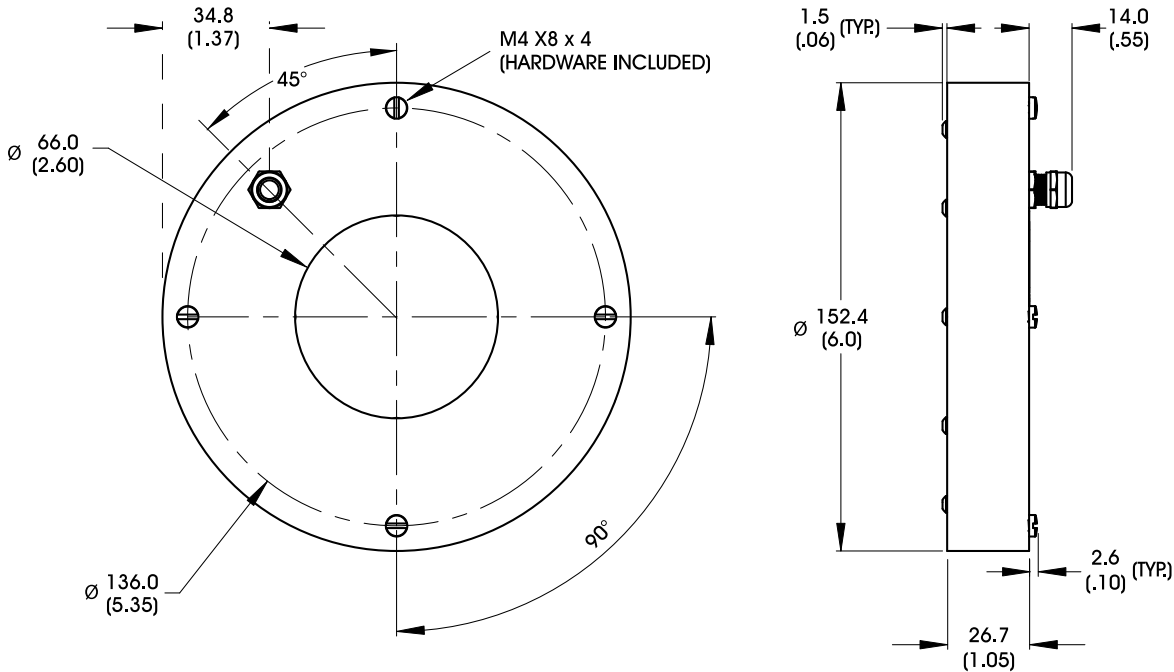
Intensity Distribution



Working Distance: 300mm (12")

Dimensional Information

[Click for Installation Models & Drawings](#)



Cable Length: 1.5 Meter (59")

DIMENSIONS ARE IN MILLIMETERS (INCHES)

Standard Variation Current Specifications

	blue	green	red	infra-red	white	
Ai / iCS	700	700	700	700	700	mA

Standard Product Information

Red	Max. Illumination	Irradiance (mW/cm ²)	Illuminance (Lux)
	Working Distance: 300mm (12")	2.6	5,200
	Lifetime	50,000 hrs	
White	Max. Illumination	Irradiance (mW/cm ²)	Illuminance (Lux)
	Working 300mm Distance: (12")	5.9	24,000
	Lifetime	50,000 hrs	

General Specifications

Weight:	680.4 g (1.5 lb)
Finish:	Black Anodized
Operating Temperature:	0-60°C
Meets Specifications:	CE, RoHS

Additional Information

