

RL127

High Brightness LED Ring Light



- Aii** Intense illumination in a compact (4.6" diameter) housing
- Aii** IP65 Compliant Design
- Aii** Axial light source designed for inspecting non-specular objects

Ordering Information

Standard Product:
Shipped Next Day

Standard Product Variation:
Shipped Within Two Weeks

RL127-WHIC

Configured with inline
Current Source

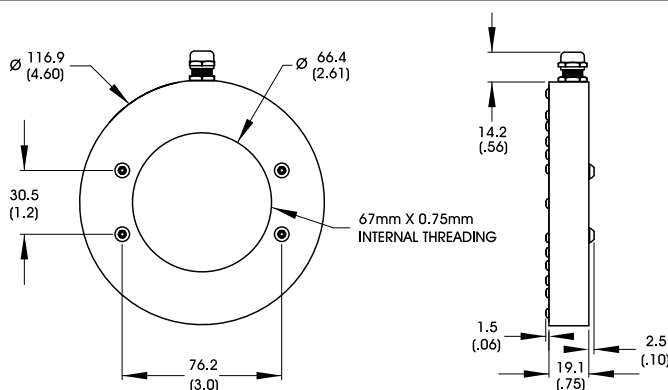
RL127-WHIC5

Configured for use with the
Pulsar 320

RL127	-	XXX	XX	X	XXX
		(blue) 470 (red) 625 (white) WHI	IC IS C2 C3 C5	D (Diffuser) P (Polarizer)	M12* (male)

IC = iCS (requires 24v power supply)
IS = iSU (requires 24v power supply)
C2 = Ai Connector
C5 = Pulsar 320 Connector
* Available with IC and IS options only

Dimensional Information



[Click for Installation Models & Drawings](#)

The RL127 can be mounted using brackets: LB101, LB103, or LB105 (not included)

[Click for Brackets Spec Sheet](#)

Cable Length: 1.5 Meter (59")

Current Specifications

	blue	red	white	
@24	320	320	320	mA

Standard Product Information

Weight:	304 g (11 oz.)
Finish:	Black Anodized
Operating Temperature:	0-60°C
Meets Specifications:	CE, RoHS
Product Lifetime:	50,000 hours