

# RL2115

## Dark Field Ring Light



- Ai**) Produces classic dark field effects.
- Ai**) Designed for inspecting small objects.

### Ordering Information

Standard Product:  
Shipped Next Day

**RL2115**

P/N: RL2115-660  
Configured for use with Ai  
Power Supply

Standard Product Variation:  
Shipped Within Two Weeks

RL2115	Spectral wavelength	Optional power Compatibility	Alternative Connector
-	XXX	XX	XXX
	(UV) 395 <sup>◇</sup>	IS	M12* (male)
	(blue) 470 <sup>†</sup>	C2	
	(green) 520 <sup>†</sup>	C3	
	(yellow) 590	12	
	(orange) 625	24	
	(red) 660		
	(infra-red) 880		
	(white) WHI <sup>†</sup>		

IS = iSU (requires 24v power supply)

C2 = Ai Connector

C5 = Pulsar 320 Connector

\* Available with 24v option only

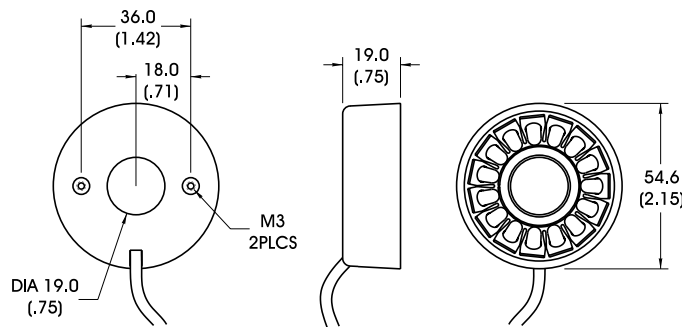
† Not available in 12v

◇ UV LEDs have a considerably shorter half-life than other LEDs (<1000hrs). For this reason Ai recommends these LEDs be used in strobe mode only. For applications requiring continuous 24v power, contact Ai for assistance.

**Optimal working distance:**

12.7mm (.5")  
up to 25.4mm (1")

### Dimensional Information



[Click for Installation Models & Drawings](#)

Cable Length: 1.5 Meter (59")

DIMENSIONS ARE IN MILLIMETERS (INCHES)

#### Standard Variation Current Specifications

	blue	green	yellow	orange	red	infra-red	white	
@12	N/A	N/A	60	60	90	100	N/A	mA
@24	60	60	60	60	90	100	60	mA

#### Standard Product Information

Product Lifetime:	50,000 hours
Operating Temperature:	0-60° C