

RL3940

Apposelite



- Aii** Low angle illumination in a compact 100mm diameter housing.
- Aii** Solves a wide array of imaging problems where low angle of incidence, radial illumination is required.

Ordering Information

Standard Product:
Shipped Next Day

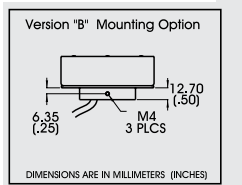
Standard Product Variation:
Shipped Within Two Weeks

RL3940-660

Configured for use with Ai
Power Supply

Optimal working distance:

12.7mm (.5")
up to 152.4mm (6")



Spectral wavelength	Optional power Compatibility	Alternative Connector
(UV) 395 [◇]	IC	M12* (male)
(blue) 470 [†]	IS	
(green) 520 [†]	C2	
(yellow) 590	C3	
(orange) 625	C5	
(red) 660	12	
(infra-red) 880	24	
(white) WHI [†]		

IC = ICS (requires 24v power supply)

IS = ISU (requires 24v power supply)

C2 = Ai Connector

C3 = Pulsar 710 Connector

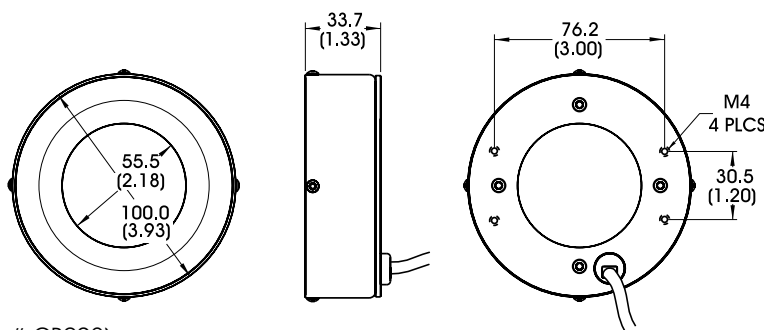
C5 = Pulsar 320 Connector

* Available with IC, IS, and 24v options only

† Not available in 12v

◇ UV LEDs have a considerably shorter half-life than other LEDs (<1000hrs). For this reason Ai recommends these LEDs be used in strobe mode only. For applications requiring continuous 24v power, contact Ai for assistance.

Dimensional Information



[Click for Installation Models & Drawings](#)

Includes Mounting Bracket (Part # CB092)

Cable Length: 1.5 Meter (59")

DIMENSIONS ARE IN MILLIMETERS (INCHES)

Standard Variation Current Specifications

	blue	green	yellow	orange	red	infra-red	white	
@12	N/A	N/A	200	200	360	420	N/A	mA
@24	280	280	120	120	180	240	280	mA

Standard Product Information

Product Lifetime: 50,000 hours

Operating Temperature: 0-60° C