

# RL5064

## Combination Bright Field/Dark Field Illuminator



- 4i) Dual Functionality - bright field and dark field illumination in a compact housing
- 4i) Bright Field and Dark Field can be used independently

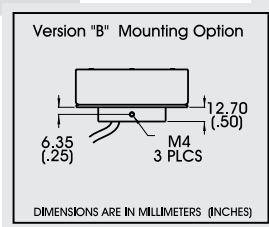
### Ordering Information

Standard Product:  
Shipped Next Day

Standard Product Variation:  
Shipped Within Two Weeks

#### RL5064-660

Configured for use with Ai Power Supply

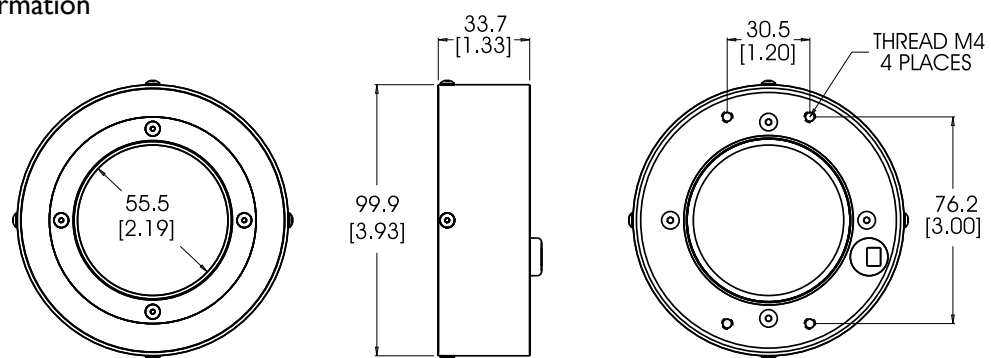


| Mounting option | Spectral wavelength  | Optional power Compatibility  | Alternative Connector |
|-----------------|--|---|-----------------------|
| RL5064 X        | -  | XXX   | XXX                   |
| B               | (UV) 395 <sup>◇</sup><br>(blue) 470 <sup>†</sup><br>(green) 520 <sup>†</sup><br>(yellow) 590<br>(orange) 625<br>(red) 660<br>(infra-red) 880<br>(white) WHI <sup>†</sup> | IC <sup>▼</sup><br>IS <sup>▼</sup><br>C2<br>C3<br>C5 <sup>▼</sup><br>12<br>24 | M12*<br>(male)        |

◇ UV LEDs have a considerably shorter half-life than other LEDs (<1000hrs). For this reason Ai recommends these LEDs be used in strobe mode only. For applications requiring continuous 24v power, contact Ai for assistance.

IC = ICS (requires 24v power supply)  
IS = ISU (requires 24v power supply)  
C2 = Ai Connector  
C3 = Pulsar 710 Connector  
C5 = Pulsar 320 Connector  
\* Available with IC, IS, and 24v options only  
† Not available in 12v  
▼ Requires a dual cable

### Dimensional Information



[Click for Installation Models & Drawings](#)

Cable Length: 1.5 Meter (59")

DIMENSIONS ARE IN MILLIMETERS (INCHES)

### Standard Variation Current Specifications

|     | blue | green | yellow | orange | red | infra-red | white |    |
|-----|------|-------|--------|--------|-----|-----------|-------|----|
| @12 | N/A  | N/A   | 360    | 360    | 360 | 360       | N/A   | mA |
| @24 | 360  | 360   | 360    | 360    | 360 | 360       | 360   | mA |

### Standard Product Information

|                        |              |
|------------------------|--------------|
| Product Lifetime:      | 50,000 hours |
| Operating Temperature: | 0-60° C      |