

S4000

Single Output Strobe Controller



- 4i**) Signatech signature recognition software provides maximum performance without compromising LED life.
- 4i**) Provides fast rise times and high current pulses.

Ordering Information

Standard Product:
Shipped Next Day

S4000

P/N: S4000

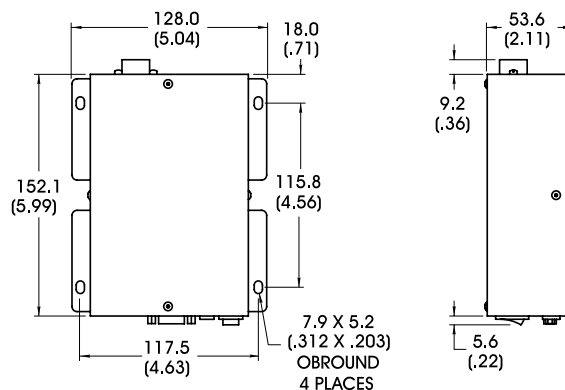
Signatech Controller Software

SignaTech software enables the user to program all strobe controller current and timing parameters. Currents are programmable for each of four channels per output, and expressed in milliamps from 0-4000. Timing parameters include pulse width, pre and post event delay time, trigger repeat setting, and a programmable off time between repetitions. All timing parameters are programmed in steps of 1 microsecond, up to a maximum of 64000.



Upon detection of unsafe operating parameters, SignaTech will retard either current or timing (selectable) ensuring continuous reliable operation. The software allows three modes of operation: Continuous (DC), Trigger (strobe), and Test. All output settings can be saved and recalled later. Settings already programmed into a Signatech strobe controller can be queried from the controller and saved to a file. The last used settings are recalled automatically at startup.

Dimensional Information



Included in the package:

RS232 Cable
24V DC Power Supply & Cable
Software CD
Instruction Manual

Additional Information

Pulse Parameter	Range	Computer Increment
On Time	0 or 1 to 64000	1 Microsecond
Delay Time	0 or 10 to 64000	1 Microsecond
Stop Time	0 or 1 to 64000	1 Microsecond
Off Time	0 or 1 to 64000	1 Microsecond
Hold Time	0 or 50 to 64000	1 Microsecond

Standard Product Information

Operating Temperature: 0-55° C



Meets CE standards