

SL073

Spot Light

- Aii** High current LED for maximum brightness
- Aii** 23mm diameter barrel with M3 mounting holes



Ordering Information

Standard Product:
Shipped Next Day

SL073-WHI24
SL073-62524

Configured for use with user
supplied 24v power source

Standard Product Variation:
Shipped Within Two Weeks

SL073	-	Spectral wavelength XXX	Optional power Compatibility XX	Optional Light Conditioning X	Alternative Connector XXX
		(blue) 470	IC	D	M12*
		(green) 530	IS	(Diffuser)	(male)
		(amber) 590	C2	P	
		(red) 625	C3	(Polarizer)	
		(infrared) 850	C5 [□]		
		(white) WHI	24		

IC = ICS (requires 24v power supply)

IS = ISU (requires 24v power supply)

C2 = Ai Connector

C3 = Pulsar 710 Connector

C5 = Pulsar 320 Connector

* Available with IC, IS, and 24v options only

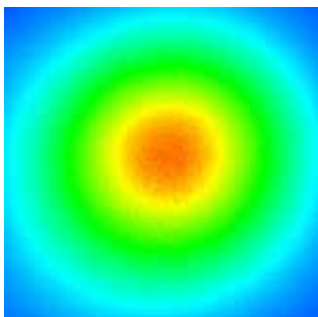
□ Wired to be compatible with 12v and 24v input

Effective Working Range:
75-600mm (3"-24")

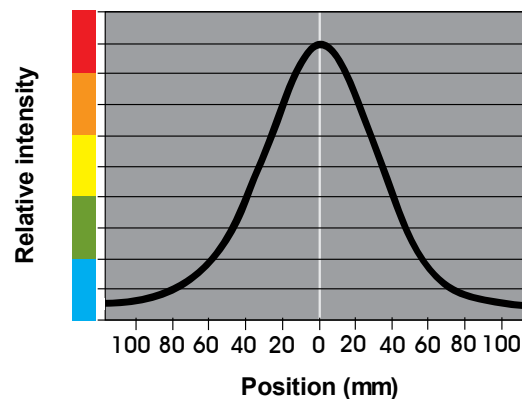
Light Uniformity Information

(Standard Product: SL073-WHI24-001 @ 300mm)

Intensity Distribution

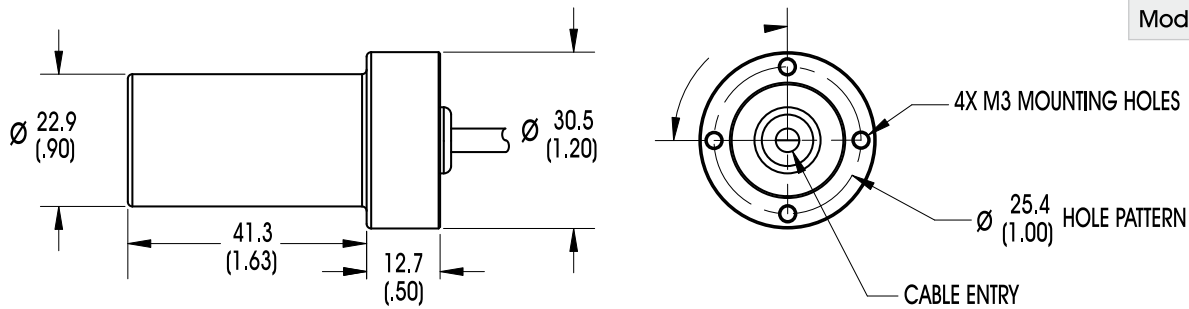


Intensity Cross Section



Dimensional Information

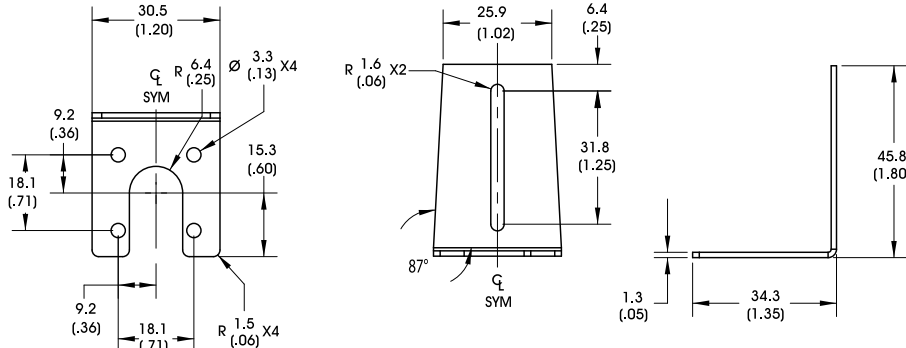
[Click for Installation Models & Drawings](#)



Cable Length: 1.5 Meter (59")

Find installation models at advancedillumination.com/drawandmodels.html

DIMENSIONS ARE IN MILLIMETERS (INCHES)



DIMENSIONS ARE IN MILLIMETERS (INCHES)

Mounting Bracket (Included)

Standard Variation Current Specifications

	blue	green	amber	red	infra-red	white	
@24	350	350	350	350	350	350	mA
Ai*	300	300	300	300	300	300	mA

*per channel, 1 channel

General Specifications

Weight:	96g (3.4oz)
Finish:	Black Anodized
Operating Temperature:	0-60°C
Meets Specifications:	CE, RoHS

Standard Product Information

Red	Max. Illumination	Irradiance (mW/cm ²)	Illuminance (Lux)
	Working Distance: 300mm	1.9	N/A
	Working Distance: 600mm	.5	N/A
	Lifetime	50,000 hrs	
White	Max. Illumination	Irradiance (mW/cm ²)	Illuminance (Lux)
	Working Distance: 300mm	2.4	10,200
	Working Distance: 600mm	.63	2,600
	Lifetime	50,000 hrs	

Additional Information

(Standard Product: SL073-WHI24-001)

