

Product Highlights

- Our Standard Intensity Linear Backlights provide rugged construction for demanding environments.



General Specifications

Available Wavelengths	White, 455 nm, 470 nm, 530 nm, 590 nm, 625 nm, 850 nm, 940 nm
Cable Info	80" -0/+6" Long (2 m -0/+150 mm), 105 °C Rated, Foil Shield w/ Drain
Sizing Info	Length: 1.86"(47.2mm) to 80.86"(2053.8mm) Width: 1.18"(30.0mm) Height: Height
Weight Info	~ 1.01 lbs (~458 g) per 12" Unit Length
Material Info	Anodized Aluminum Housing, Acrylic Window, Nylon Strain Relief, PVC Cable Jacket, Steel Black Oxide and Zinc Plated Steel fasteners
Mounting Info	M6 Mounting Nut Channel
Operating Case Temperatures	25 °C to 60 °C
Operating Ambient Temperatures	0 °C to 35 °C
Compliance	CE, RoHS, IEC 62471
IP Rating	IP50

Lumen Maintenance - White L70 (50,000 Hours)

Only

Refer to Electrical Specs for power requirements.

Part Number Key

Model	Emitting Length (in)	-	Peak Wavelength	Connector/Control	-	Alternative Connector
BL193	XX	-	XXX	XX	-	XXX
BL193	01" increments from 01" to 80"		470 (blue)	C1		M8 ¹
			520 (green)	C5		M12 ¹
			660 (red)	IC		
			880 (IR)	I3		
			WHI (white)	I3S		
				24		

Example Part Numbers:

BL19306-470C5

BL19324-660I3-M12

¹ Available with IC, I3, I3S, and 24 V

Change Notice

PCN No: 152

Date Issued: June 15, 2020

Notice Type: Product Revision Change

Product Type: BLXXYY, CBXXYY, FDXXYY, BL128, BL193, BL245

Change Notification Summary

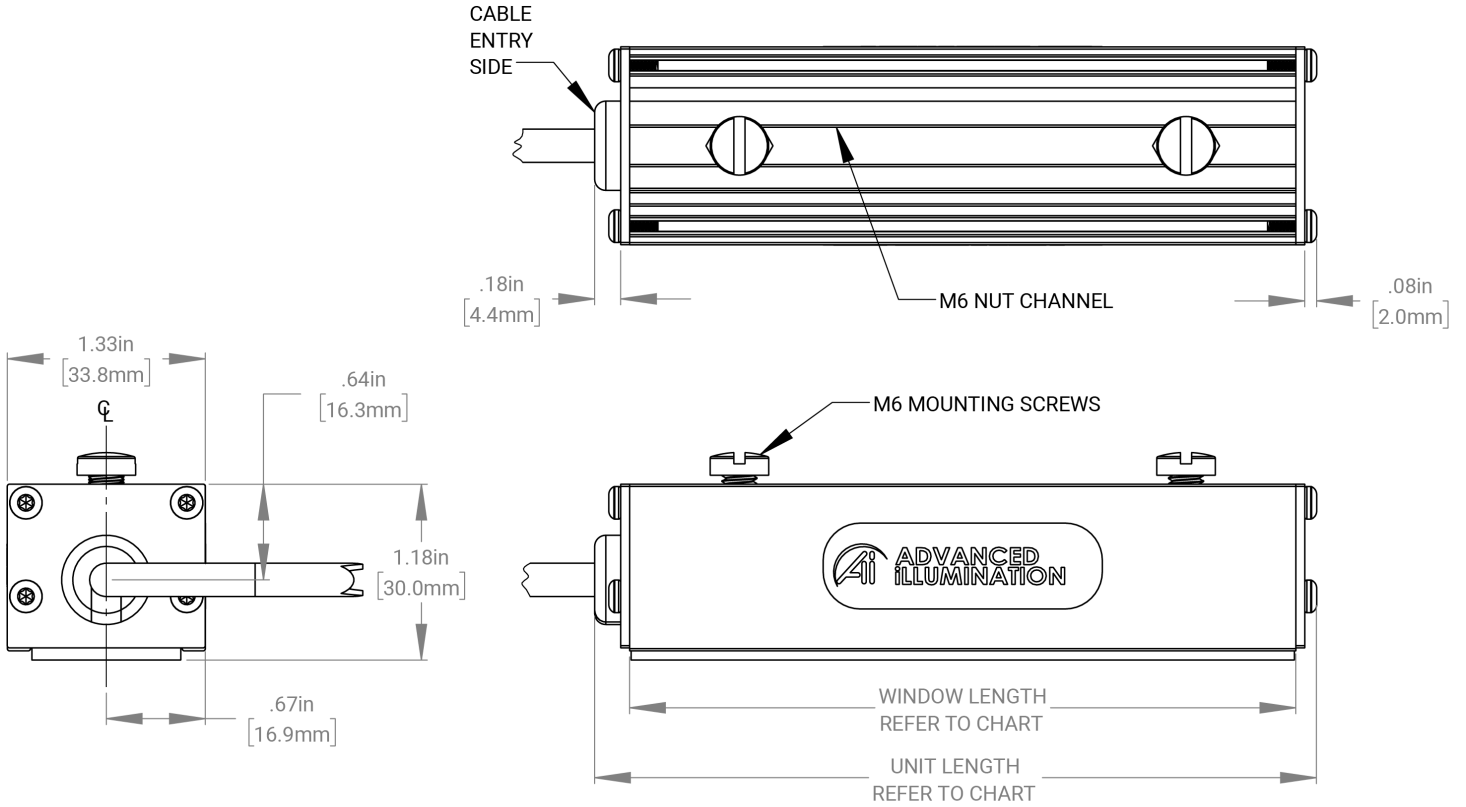
In an effort to improve our products, Advanced illumination (Ai) will be updating the internal drivers and white LEDs used in the BLXXYY, CBXXYY, FDXXYY, BL128, BL193, and BL245. This change will result in white lights seeing a brightness increase of roughly 70% while maintaining equal pricing for small configurations and reduced pricing for large configurations. Excluding the BL128, 24V configured units will experience a current draw shift from 20mA to 30mA per sq. inch for 470nm, 520nm and white units while controller configured units will see a current draw shift from 15mA to 18mA per sq. inch for the same color configurations. Color temperatures will remain unchanged.

The LED upgrade and internal driver update for white color configurations will take place September 15th. The internal driver updates will occur November 9th for 470nm and January 7th for 520nm.

Please contact your Ai Sales Representative if you have any questions.

PCN 152

Mechanical Specs



For XX and YY dimensions refer to Part Number Key.

Optical Specs

Area of Illuminance & Intensity

Working Area (FWHM)
@ Working Distance

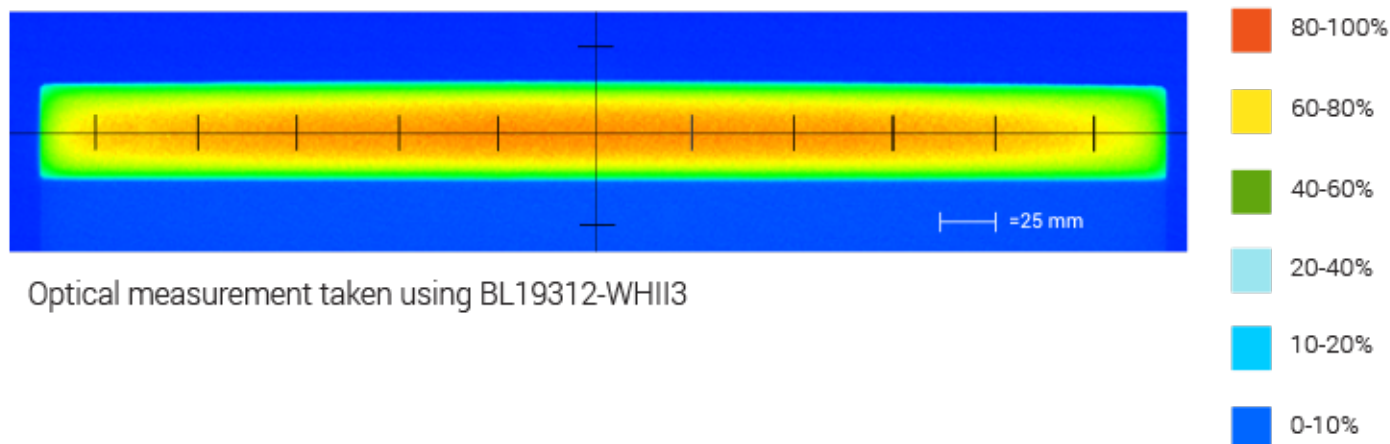
Light Output

289.5 X 22.9 (mm)
@surface

Irradiance (W/M²): Min 38.6; Typ 45.4
Illuminance (kLux): Min 11.9; Typ 14



Intensity Distribution



Optical measurement taken using BL19312-WHII3

Electrical Specs

Current Required for Power Supply Sizing, per 6" Unit Length

Wavelengths	Configured w/ Voltage Drive (24)	All Controller Based Models (C1, C5, IC, I3, I3S, Q4, Q1)	Inline Controller Current Draw (IC, I3, I3S)
WHI	0.020A per sq. inch	0.015A per sq. inch	0.030A per sq. inch
470 nm	0.020A per sq. inch	0.015A per sq. inch	0.030A per sq. inch
520 nm	0.020A per sq. inch	0.015A per sq. inch	0.030A per sq. inch
660 nm	0.030A per sq. inch	0.025A per sq. inch	0.030A per sq. inch
850 nm	0.030A per sq. inch	0.025A per sq. inch	0.030A per sq. inch

Note: All Advanced Illumination lights and controllers are nominally powered by 24V DC unless otherwise noted. Strobe overdriving with controller based models may require more current and voltage overhead.

Standard Flying Lead and Optional M12 Connector Pinout Functions

Pin (M12)	Wire Color	24V Functions	IC Functions	I3/I3S Functions	M12 Pinout
1	BROWN	24V DC	24V DC	24V DC	<p>5-Position Male Connector</p>
2	WHITE	N/A	0-10V Analog Control	Reserved	
3	BLUE	DC GND	DC GND	DC GND	
4	BLACK	N/A	Gate Low	PNP/Active High Trigger	
5	GRAY	N/A	N/A	0-10V Analog Control	

The functions above are only applicable when ordering an 24, IC, I3, or I3s power configuration with our without an M12 connector. For more wiring information pertaining to strobing and dimming functionality, please [visit this webpage](#).

Optional M8 Connector Pinout Functions

Pin (M8)	Wire Color	24V Functions	IC Functions	I3/I3S Functions	M8 Pinout
1	BROWN	24V DC	24V DC	24V DC	<p>4-Position Male Connector</p>
2	WHITE	N/A	0-10V Analog Control	Reserved	
3	BLUE	DC GND	DC GND	DC GND	
4	BLACK	N/A	Gate Low	Active High Trigger	

The functions above are only applicable when ordering an 24, IC, I3, or I3s power configuration with our without an M12 connector. For more wiring information pertaining to strobing and dimming functionality, please [visit this webpage](#).

Control Specs

C1 Connector	C5 Connector	ICS 2 (IC)	ICS 3 (I3)	ICS 3S (I3S)	24
<i>For use with:</i> DCS Series Controllers	<i>For use with:</i> Pulsar 320 Strobe Controller.	Continous in-line controller <i>Powered with:</i> 24V power supply	Combination strobe/continous in-line controller <i>Powered with:</i> 24V power supply	Default-OFF strobe/continous in-line controller <i>Powered with:</i> 24V power supply	Flying/tinned leads <i>Powered with:</i> 24V power supply

Warranty Information

Every Advanced illumination, Inc. (Ai) product is thoroughly inspected and tested before leaving the factory. Products are warranted to be free of defects in workmanship and materials for a period of FIVE YEARS from the original date of purchase. Should a defect develop during this period, customers may return the complete product, freight prepaid, to one of Ai's distributors or to the Ai factory. All product warranty returns require a Return Merchandise Authorization (RMA) number which is obtained from Customer Service. The RMA number must be clearly marked on the outside of the package. Ai will inspect the unit, and if a defect is found will, at our option, repair or replace the product without charge. Ai disclaims liability for any implied warranties, including implied warranties of "merchantability" and "fitness for a specific purpose." For products under warranty that have since been discontinued, Ai will make an effort to replace with equivalent parts; for circumstances that do not allow for equivalent replacement, Ai reserves the right to repair or replace these products with an updated version. Ai cannot be held responsible for the unauthorized or inappropriate use of its products. Any unauthorized repair or modifications will result in a voided warranty.

No Liability for Consequential Damages: In no event shall Ai be liable for any consequential, special, incidental, or indirect damages of any kind arising from the sale or use of the products.

Electromagnetic Compatibility

This product was tested and complies with the regulatory requirements and limits for electromagnetic compatibility (EMC) as stated in the product specifications. These requirements and limits are designed to provide reasonable protection against harmful interference only when the product is operated in its intended industrial electromagnetic environment. To minimize the potential for electromagnetic interference or unacceptable performance degradation, install and use this product in strict accordance with the instructions in the product documentation.

Customer Service

For information on existing orders, or to make an order adjustment, contact us Monday through Friday 8:00 am to 5:00 pm ET or send an email to orders@advancedillumination.com.

Company Information

Advanced Illumination

440 State Garage Road, Rochester, VT 05767

Phone: 802.767.3830

Fax: 802.767.2636

Email: info@advancedillumination.com

Web: advancedillumination.com

© 2021 Advanced illumination Inc. All rights reserved