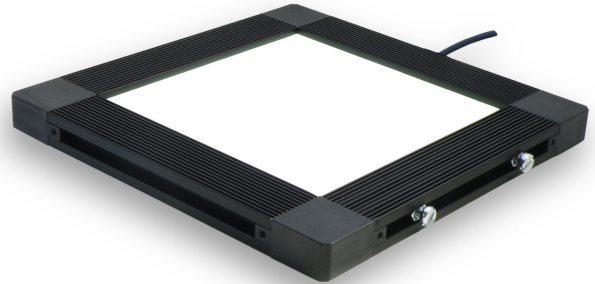


### Product Highlights

- The CX series is a group of expandable, Edge-lit Collimated Backlights characterized by their high intensity and low heat output.



### General Specifications

Electrical Specifications	Color	24V Current	All Other Controls
	625	N/A	0.062A Max per inch
	455, 530, WHI	N/A	0.103A Max per inch
	850	N/A	0.05A Max per inch
Normal Operating Temperature	0 - 60°C		
Weight	4" X 4" - 561.6g (19.81oz)		
Standard Cable Information	Up to 2 meters (80") long - 105°C rated PVC jacket, foil shield with drain.		
Photobiological Risk Factor	Exempt Applicable Wavelengths: 850 Group 1 (Low-Risk) Applicable Wavelengths: 455, 530, 625, WHI		
Compliance	CE, RoHS, IEC 62471		
IP Rating	IP50		
Lumen Maintenance	L70 = 50,000 Hours		

## Part Number Key

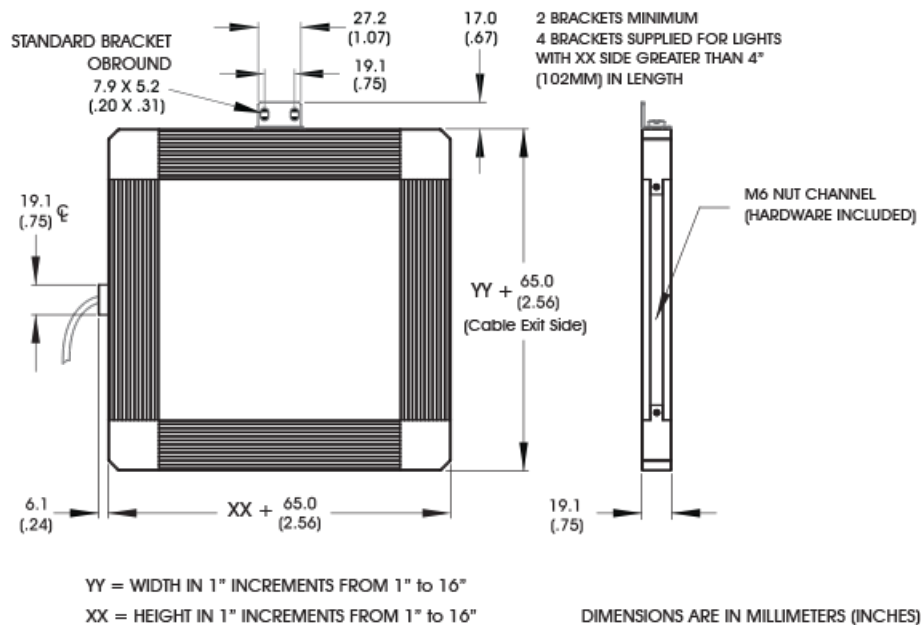
Model	Height	Width (Cable Side)	—	Spectral Wavelength	Connector/ Control	—	Alternative Connector
<b>CX</b>	<b>XX</b>	<b>YY</b>	<b>—</b>	<b>XXX</b>	<b>XX</b>	<b>—</b>	<b>XXX</b>
CX	in 1" increments from 1" to 16"	in 1" increments from 1" to 16"		(blue) 455 (green) 530 (red) 625 (infra-red) 850 (white) WHI	C1 C5 IC I3 I3S		M12 <sup>1</sup>
Ex: CX0312-455C1 CX0608-625IC-M12						<sup>1</sup> Available with IC, I3 and I3S	

**Stock Product:** *shipped within 3 days*  
CX0404-WHIC

### Build to Order:

Red & White: *Shipped in Two Weeks*  
Blue & Green: *Four Weeks*

## Mechanical Specs



## Optical Specs

### Area of Illuminance & Intensity

Working Area (FWHM)  
@ Working Distance

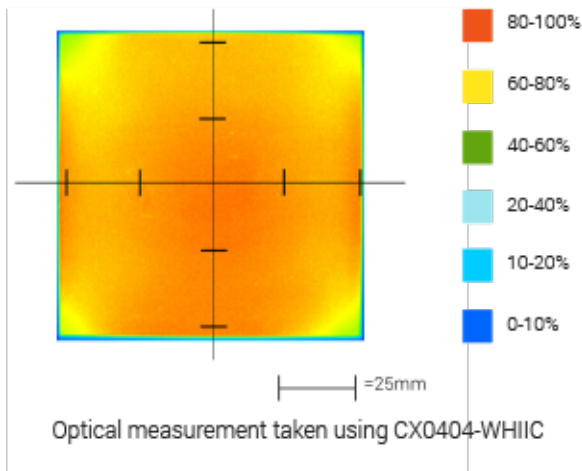
99 X 99 (mm)  
@surface



Light Output

Irradiance (W/M²): Min 48.5; Typ 57  
Illuminance (kLux): Min 18.9; Typ 22.2

### Intensity Distribution



## Electrical Specs

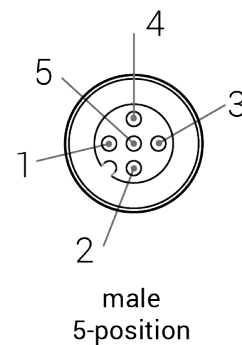
### ICS 2 (IC)

Pin (M12)	Function	Wire Color
1	+24 VDC	Brown
2	0-10 VDC Analog Control	White
3	GND	Blue
4	GLO	Black
5	N/A	Gray

### ICS 3 (I3 and I3S)

Pin (M12)	Function	Wire Color
1	+24 VDC	Brown
2	GND	White
3	GND	Blue
4	PNP/Active High Trigger	Black
5	0-10 VDC Analog Control	Gray

### Optional M12 Pinout



## Control Specs

C1 Connector	C5 Connector	IC	I3	I3S
<i>For use with:</i> DCS Series Controllers	<i>For use with:</i> Pulsar 320 Strobe Controller.	Continous in-line controller  <i>Powered with:</i> 24V power supply	Combination strobe/continous in-line controller  <i>Powered with:</i> 24V power supply	Default-OFF strobe/continous in-line controller  <i>Powered with:</i> 24V power supply

## Warranty Information

Every Advanced illumination, Inc. (Ai) product is thoroughly inspected and tested before leaving the factory. Products are warranted to be free of defects in workmanship and materials for a period of FIVE YEARS from the original date of purchase. Should a defect develop during this period, customers may return the complete product, freight prepaid, to one of Ai's distributors or to the Ai factory. All product warranty returns require a Return Merchandise Authorization (RMA) number which is obtained from Customer Service. The RMA number must be clearly marked on the outside of the package. Ai will inspect the unit, and if a defect is found will, at our option, repair or replace the product without charge. Ai disclaims liability for any implied warranties, including implied warranties of "merchantability" and "fitness for a specific purpose." For products under warranty that have since been discontinued, Ai will make an effort to replace with equivalent parts; for circumstances that do not allow for equivalent replacement, Ai reserves the right to repair or replace these products with an updated version. Ai cannot be held responsible for the unauthorized or inappropriate use of its products. Any unauthorized repair or modifications will result in a voided warranty.

No Liability for Consequential Damages: In no event shall Ai be liable for any consequential, special, incidental, or indirect damages of any kind arising from the sale or use of the products.

## Electromagnetic Compatibility

This product was tested and complies with the regulatory requirements and limits for electromagnetic compatibility (EMC) as stated in the product specifications. These requirements and limits are designed to provide reasonable protection against harmful interference only when the product is operated in its intended industrial electromagnetic environment. To minimize the potential for electromagnetic interference or unacceptable performance degradation, install and use this product in strict accordance with the instructions in the product documentation.

## Customer Service

For information on existing orders, or to make an order adjustment, contact us Monday through Friday 8:00 am to 5:00 pm ET or send an email to [orders@advill.com](mailto:orders@advill.com).

## Company Information

### **Advanced Illumination**

440 State Garage Road, Rochester, VT 05767

Phone: 802.767.3830

Fax: 802.767.3831

Email: [info@advancedillumination.com](mailto:info@advancedillumination.com)

Web: [advancedillumination.com](http://advancedillumination.com)

© 2020 Advanced illumination Inc. All rights reserved