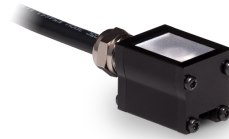


Product Highlights

- The SL243 Spot Light provides an industry leading performance to size ratio while maintaining desirable thermal dissipation. Perfect for applications that require small footprint machine vision components.



General Specifications

	Color	24V Current	All Other Controls
Electrical Specifications	470, 505, 530, WHI	N/A	0.32 A Max
	590, 625, 660, 730	N/A	0.31 A Max
	850, 940	N/A	0.24 A Max
	365, 375, 385, 395, 405, 455	N/A	0.22 A Max

Normal Operating Temperature 0 - 60°C

Weight	24g (0.85 oz)
Standard Cable Information	2 meters long (80") - 105°C rated PVC jacket, foil shield with drain.
Photobiological Risk Factor	Exempt Applicable Wavelengths: 850, 940 Group 1 (Low Risk) Applicable Wavelengths: 455, 470, 505, 530, 590, 625, 660, 730, WHI Group 2 (Moderate Risk) Applicable Wavelengths: 365, 375, 385, 395, 405
Compliance	CE, RoHS, IEC 62471
IP Rating	TBD

Lumen Maintenance

L70 = 50,000 Hours

Part Number Key

Model	-	Wavelength	Connector /Control	Washdown (Optional)	Diffuser (Optional)	-	Alternative Connector (Optional)
SL243	-	XXX	XXX	X	X	-	XXX
SL243	-	(UV) 365 (UV) 375 (UV) 385 (UV) 395 (VIOLET) 405 (ROYAL BLUE) 455 (BLUE) 470 (CYAN) 505 (GREEN) 530 (AMBER) 590 (RED ORANGE) 625 (RED) 660 (FAR RED) 730 (IR) 850 (IR) 940 (WHITE) WHI	C1 C5 Q4 IC I3 I3S	W	D ²	-	M12 ¹

Ex: SL243-660I3D-M12
SL243-WHIC1

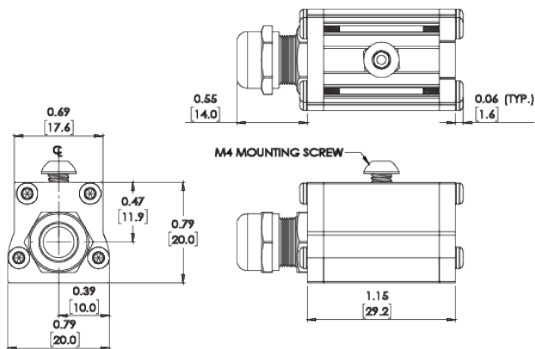
BUILD TO ORDER: SHIPS WITHIN 2 WEEKS

¹ AVAILABLE WITH IC, I3, I3S, AND 24V

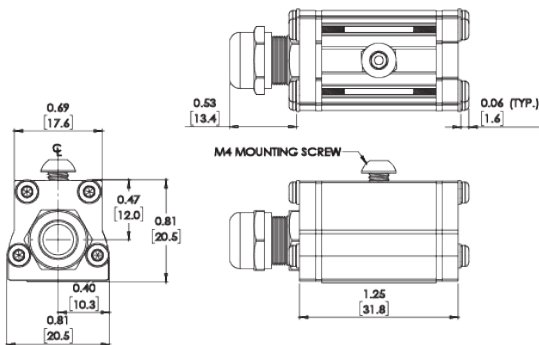
² DIFFUSER NOT AVAILABLE WITH WAVELENGTHS OF 365, 375, 385, 395, AND 405

Mechanical Specs

NONSEALED



SEALED



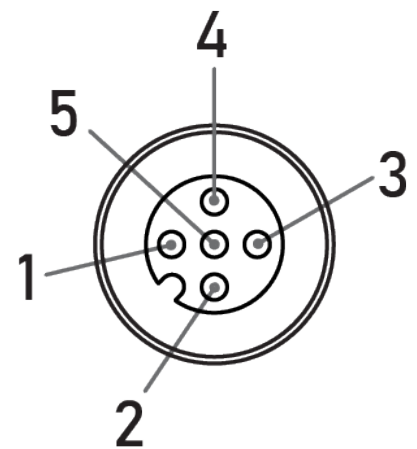
Electrical Specs

ICS 2 (IC)

ICS 3 (I3 & I3S)

Optional M12 Pinout

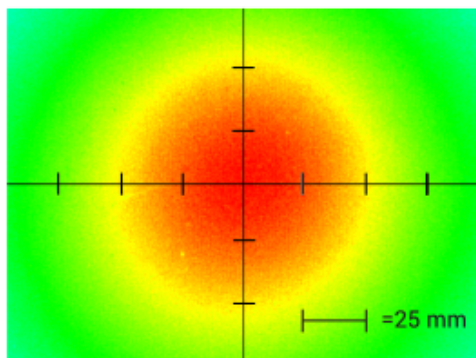
PIN (M12)	FUNCTION	WIRE COLOR	PIN (M12)	FUNCTION	WIRE COLOR
1	24V DC	BROWN	1	24V DC	BROWN
2	0-10V ANALOG CONTROL	WHITE	2	SHIELD	WHITE
3	DC GND	BLUE	3	DC GND	BLUE
4	GLO	BLACK	4	PNP/ ACTIVE HIGH TRIGGER	BLACK
5	N/A	GRAY	5	0-10V ANALOG CONTROL	GRAY



**MALE
5-POSITION**

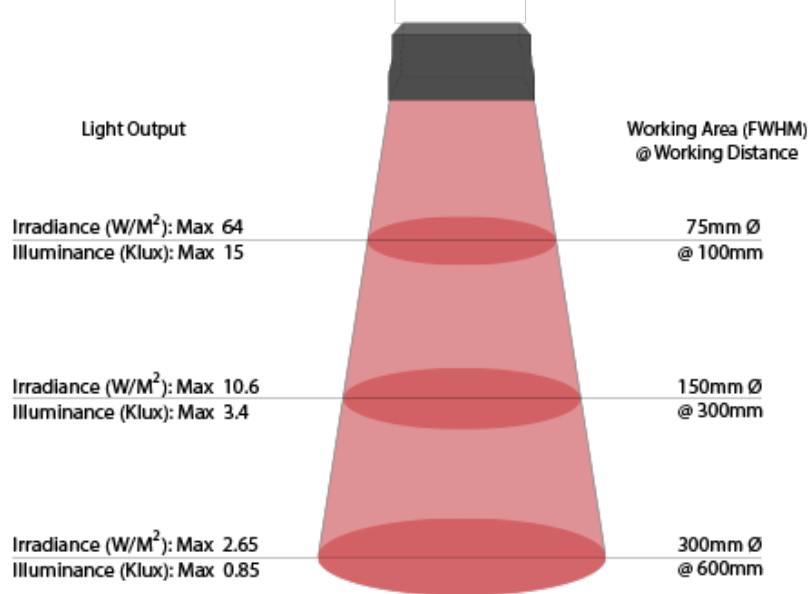
Optical Specs

Intensity Distribution



Optical measurement taken using SL243-WHII3 @ 300 mm

Area of Illuminance & Intensity



Control Specs

C1 CONNECTOR

For use with:
DCS Series Controllers
Strobe/Continuous Controllers

C5 CONNECTOR

For use with:
Pulsar 320
High Power Strobe Only Controller

ICS 2 (IC)

In-line Continuous Controller

Powered with:
24V Power Supply

ICS 3

In-line Strobe/Continuous Controller
Default On
Powered with:
24V Power Supply

ICS 3S (I3S)

In-line Strobe/Continuous Controller
Default Off
Powered with:
24V Power Supply

24 VOLT

Flying/Tinned Leads

Powered with:
24V Power Supply

Note: Selecting a Q4 connection will result in 4 spot lights wired to 1 connector, each spot light operating on a single channel.

Warranty Information

Every Advanced illumination, Inc. (Ai) product is thoroughly inspected and tested before leaving the factory. Products are warranted to be free of defects in workmanship and materials for a period of FIVE YEARS from the original date of purchase. Should a defect develop during this period, customers may return the complete product, freight prepaid, to one of Ai's distributors or to the Ai factory. All product warranty returns require a Return Merchandise Authorization (RMA) number which is obtained from Customer Service. The RMA number must be clearly marked on the outside of the package. Ai will inspect the unit, and if a defect is found will, at our option, repair or replace the product without charge. Ai disclaims liability for any implied warranties, including implied warranties of "merchantability" and "fitness for a specific purpose." For products under warranty that have since been discontinued, Ai will make an effort to replace with equivalent parts; for circumstances that do not allow for equivalent replacement, Ai reserves the right to repair or replace these products with an updated version. Ai cannot be held responsible for the unauthorized or inappropriate use of its products. Any unauthorized repair or modifications will result in a voided warranty.

No Liability for Consequential Damages: In no event shall Ai be liable for any consequential, special, incidental, or indirect damages of any kind arising from the sale or use of the products.

Electromagnetic Compatibility

This product was tested and complies with the regulatory requirements and limits for electromagnetic compatibility (EMC) as stated in the product specifications. These requirements and limits are designed to provide reasonable protection against harmful interference only when the product is operated in its intended industrial electromagnetic environment. To minimize the potential for electromagnetic interference or unacceptable performance degradation, install and use this product in strict accordance with the instructions in the product documentation.

Customer Service

For information on existing orders, or to make an order adjustment, contact us Monday through Friday 8:00 am to 5:00 pm ET or send an email to orders@advancedillumination.com.

Company Information

Advanced Illumination

440 State Garage Road, Rochester, VT 05767

Phone: 802.767.3830

Fax: 802.767.2636

Email: info@advancedillumination.com

Web: advancedillumination.com

© 2021 Advanced illumination Inc. All rights reserved