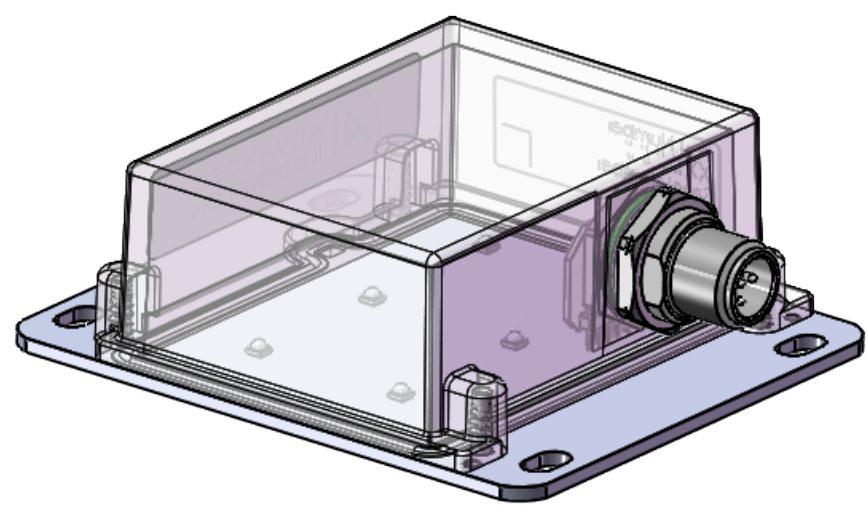
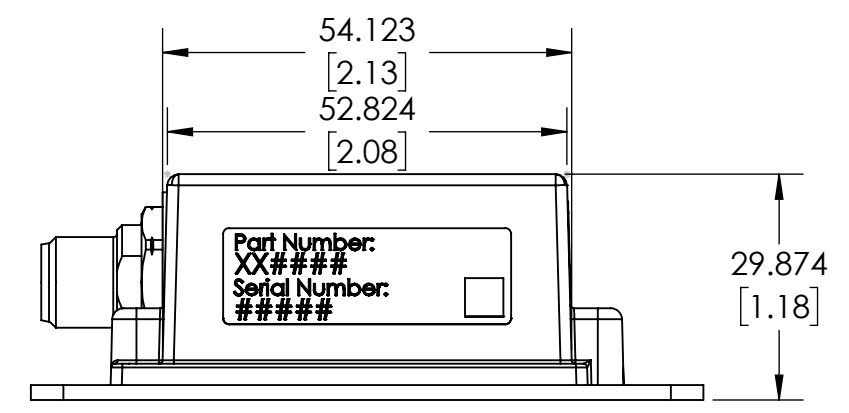
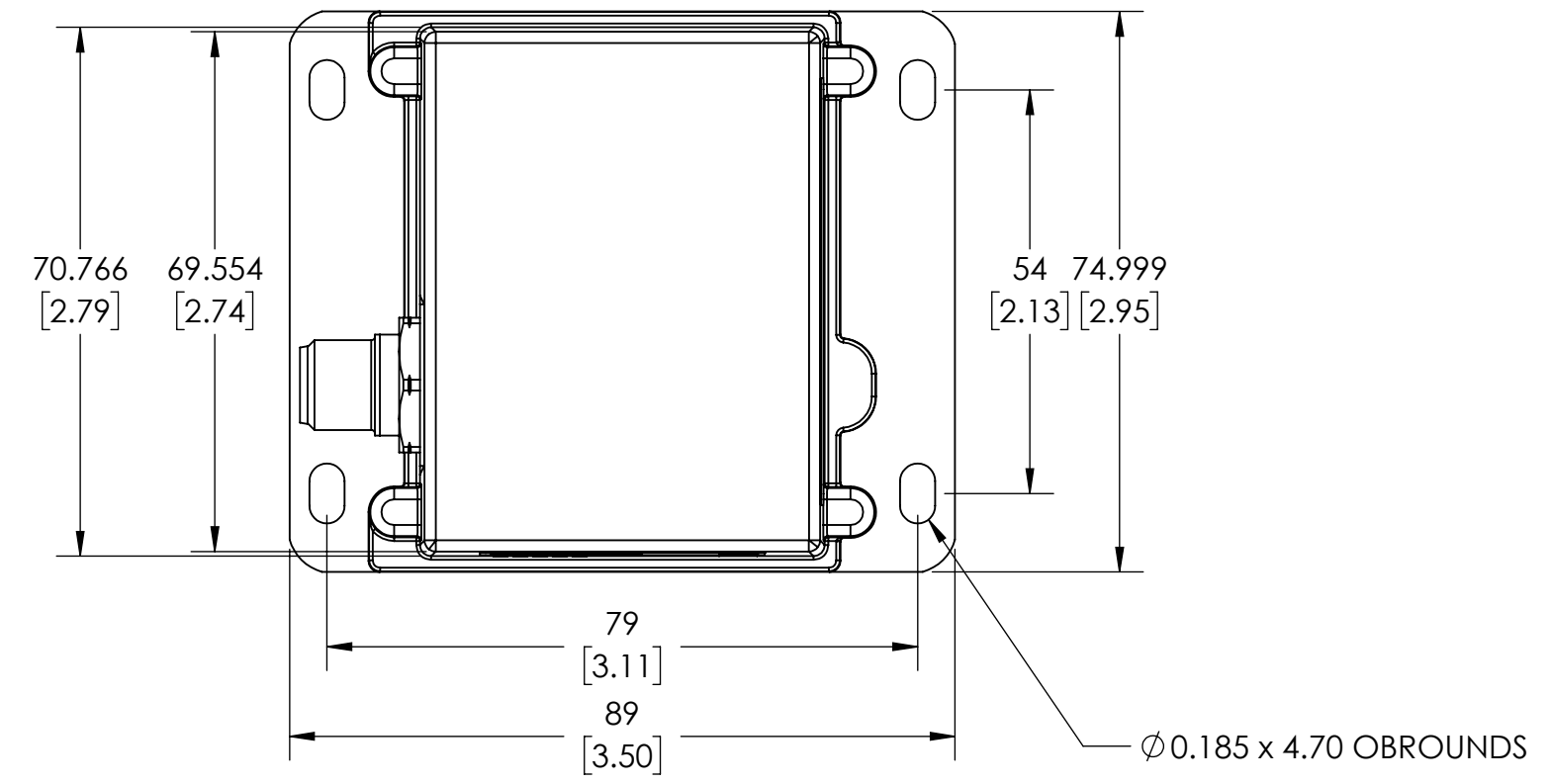
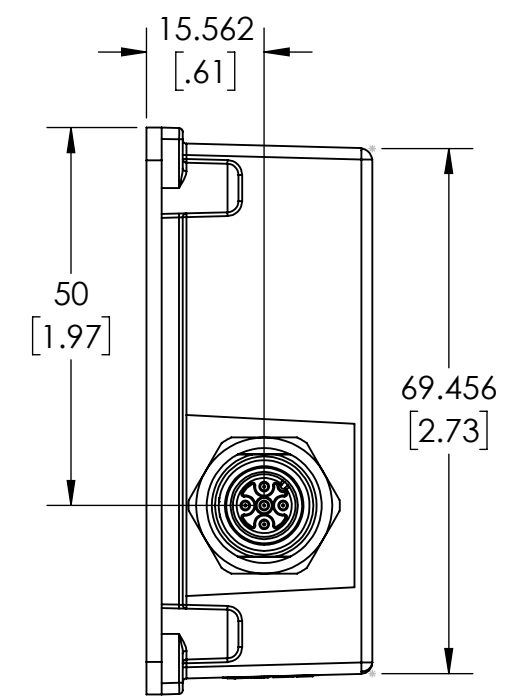


REVISIONS

REV.	DESCRIPTION	DATE	DCN NO
-	XXXX	XXXX	XX



FOR REFERENCE ONLY

UNIT WEIGHT: 0.208 Lbs

PROPRIETARY AND CONFIDENTIAL
 THESE DRAWINGS AND SPECIFICATIONS ARE THE EXCLUSIVE PROPERTIES OF ADVANCED ILLUMINATION INCORPORATED ISSUED IN STRICT CONFIDENCE AND SHALL NOT, WITHOUT THE PRIOR WRITTEN PERMISSION OF ADVANCED ILLUMINATION INC BE REPRODUCED, COPIED OR USED FOR ANY PURPOSE WHATSOEVER EXCEPT THE MANUFACTURE OF ARTICLES FOR ADVANCED ILLUMINATION INC

CUT USING: -	UNLESS OTHERWISE SPECIFIED:	DATE	NAME	ADVANCED ILLUMINATION 440 STATE GARAGE ROAD, ROCHESTER, VERMONT 05767 TITLE: DRAWING, INSTALLATION, BL-S050075
	SURFACE SHOULD BE FREE OF SCRATCHES, BURRS, AND DENTS	DRAWN	-	
	DIMENSIONS ARE IN: INCHES	CHECKED	--	
	TOLERANCES	APPROVED	--	SCALE: NTS C CODE: - SHEET 1 OF 1
	FRACTIONAL ± 1/16	MATERIAL	-	
	ANGULAR: MACH ± 1 BEND ± 1	FINISH	-	
NEXT ASSY	TWO PLACE DECIMAL ± .010			
USED ON	THREE PLACE DECIMAL ± .005			
APPLICATION	MAKE FROM			