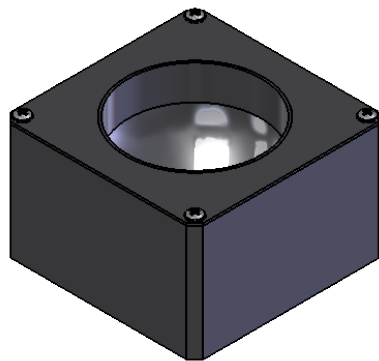
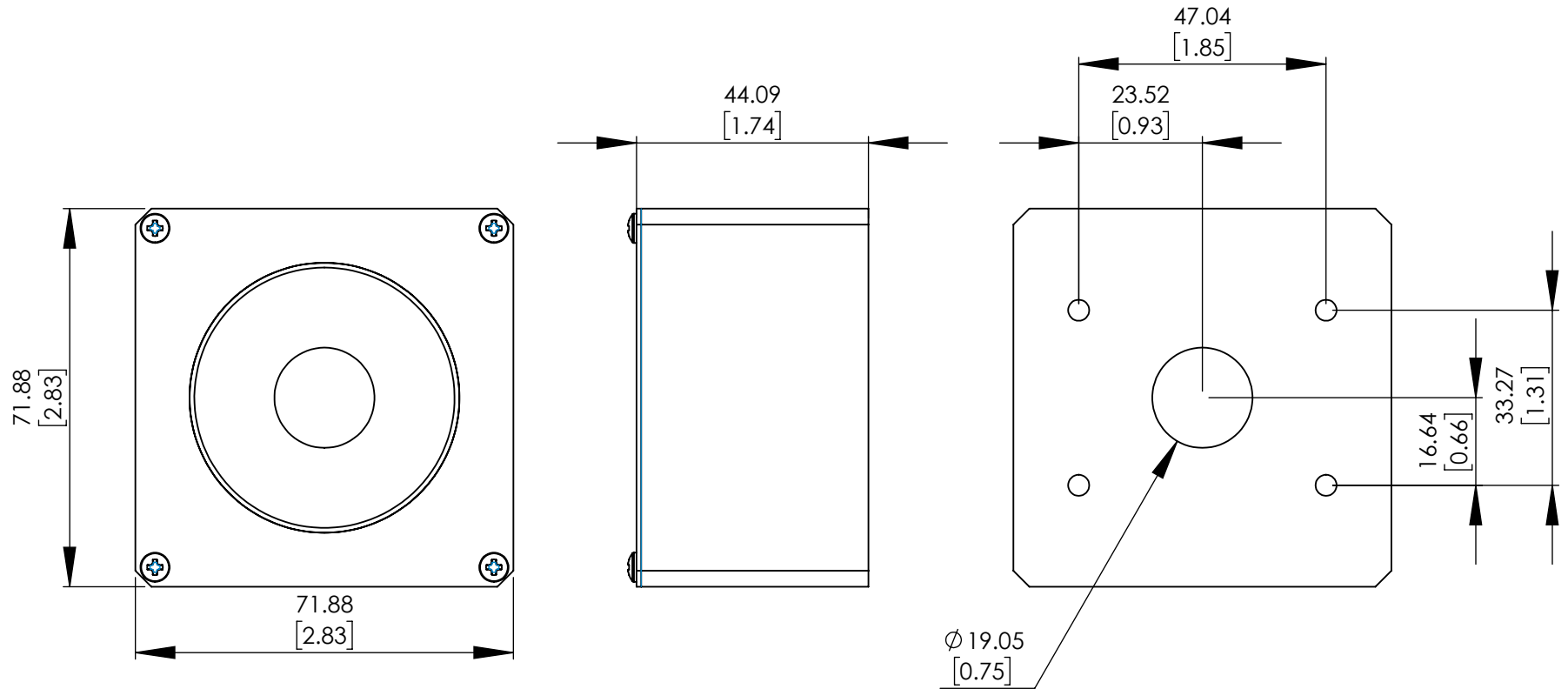


| REVISIONS | | | |
|-----------|-------------|------|--------|
| REV. | DESCRIPTION | DATE | DCN NO |
| | | | |



FOR REFERENCE ONLY

PROPRIETARY AND CONFIDENTIAL
 THESE DRAWINGS AND SPECIFICATIONS ARE THE EXCLUSIVE PROPERTIES OF ADVANCED ILLUMINATION INCORPORATED ISSUED IN STRICT CONFIDENCE AND SHALL NOT, WITHOUT THE PRIOR WRITTEN PERMISSION OF ADVANCED ILLUMINATION INC BE REPRODUCED, COPIED OR USED FOR ANY PURPOSE WHATSOEVER EXCEPT THE MANUFACTURE OF ARTICLES FOR ADVANCED ILLUMINATION INC

| DATE | NAME |
|----------|------|
| - | - |
| -- | -- |
| -- | -- |
| MATERIAL | |
| - | |
| FINISH | |
| - | |

UNLESS OTHERWISE SPECIFIED:
 SURFACE SHOULD BE FREE OF SCRATCHES, BURRS, AND DENTS
 DIMENSIONS ARE IN: INCHES
TOLERANCES
 FRACTIONAL ± 1/16
 ANGULAR: MACH ± 1 BEND ± 1
 TWO PLACE DECIMAL ± .010
 THREE PLACE DECIMAL ± .005
 MAKE FROM

| DATE | NAME |
|----------|------|
| - | - |
| -- | -- |
| -- | -- |
| MATERIAL | |
| - | |
| FINISH | |
| - | |

ADVANCED ILLUMINATION
 440 STATE GARAGE ROAD, ROCHESTER, VERMONT 05767

TITLE:
 DRAWING, INSTALLATION, DL2230

SIZE DWG. NO. REV
A DL2230 -

SCALE: NTS/C CODE: SHEET 1 OF 1

UNIT WEIGHT: 0.804 lbs