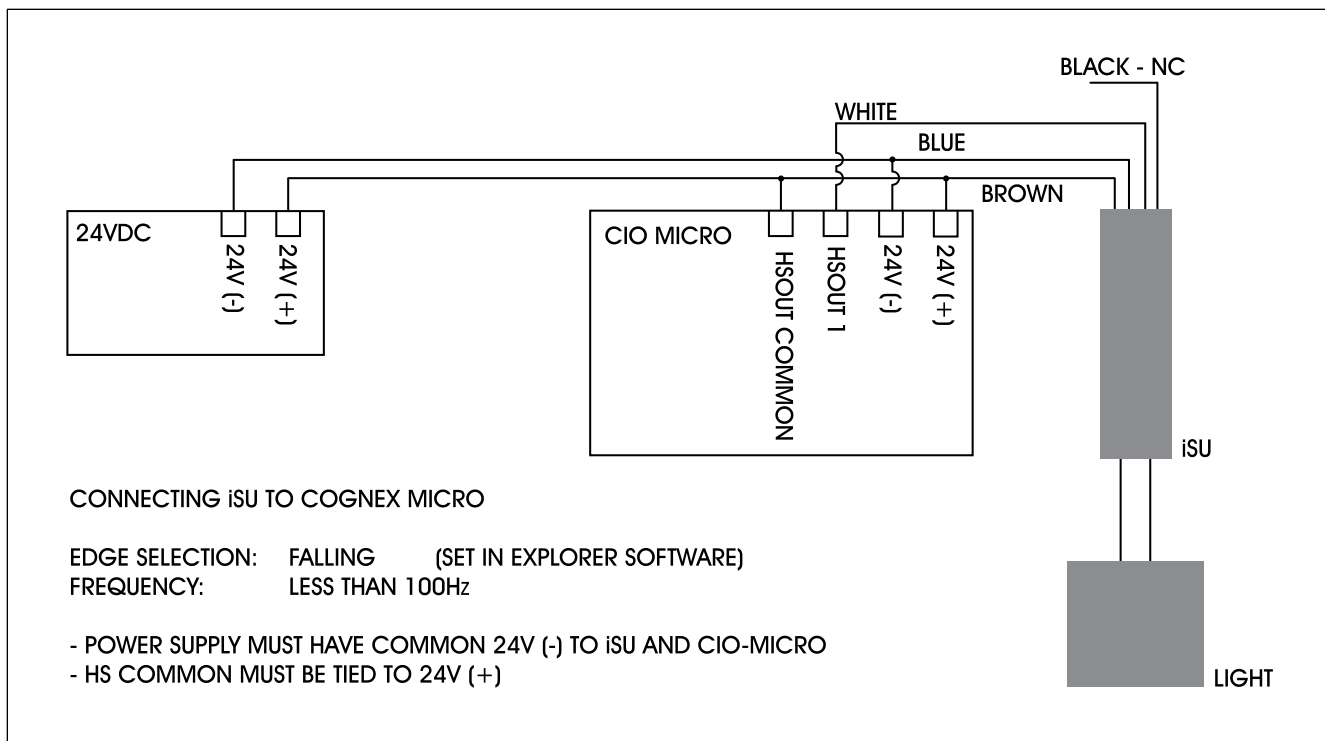


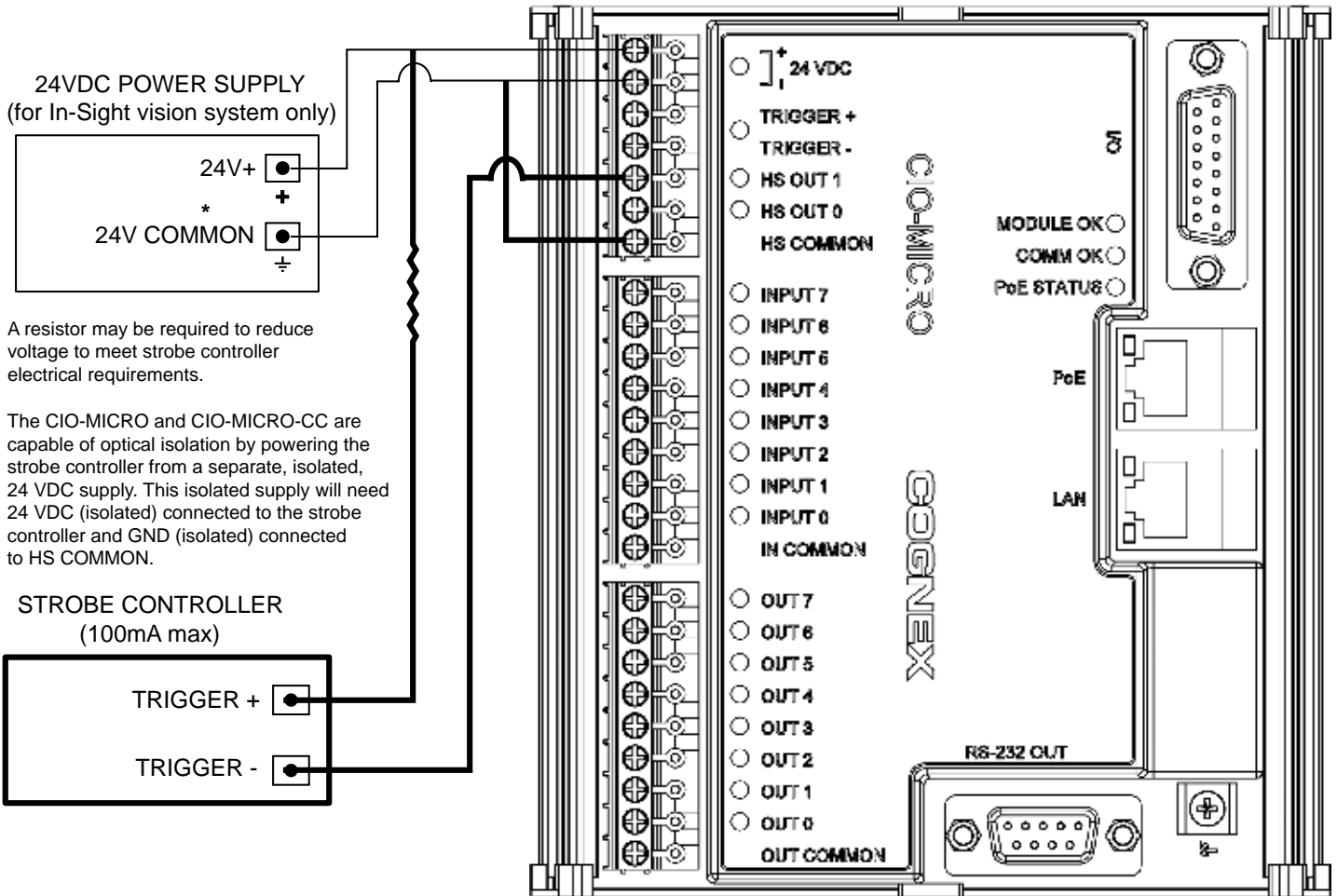
CONNECTING THE INLINE STROBE UNIT (ISU) TO THE COGNEX IN-SIGHT MICRO



This is an NPN configuration:

- Use a single common 24V power supply to power both the iSU and CIO-Micro I/O board
- Tie 24V (-) to both iSU and CIO-Micro 24V (-) to make a common return
- Tie HS COMMON to 24V (+)
- Tie iSU - WHITE to CIO-HSOUT 1
- Set edge to FALLING in the Cognex Insight-Explorer
- In Insight-Explorer software, set HSOUT 1 output to 'STROBE'





In-Sight Micro Vision System High-Speed Output To Strobe Controller (I/O Module Sinks Current)

*** A resistor is not required with the iSU.**