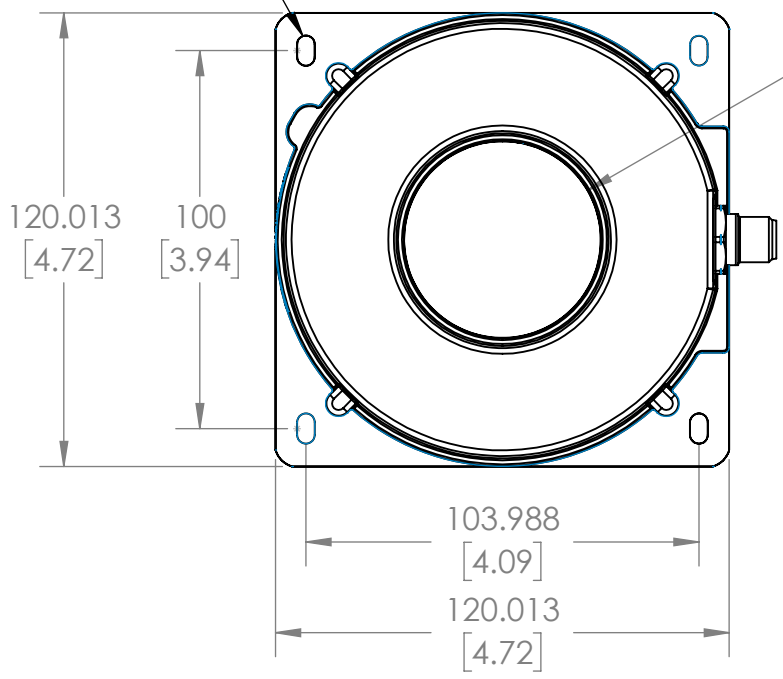


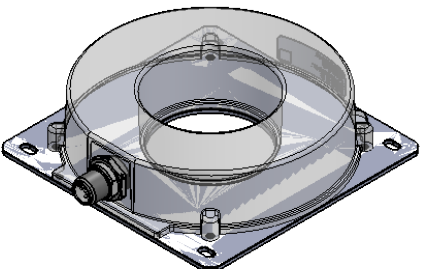
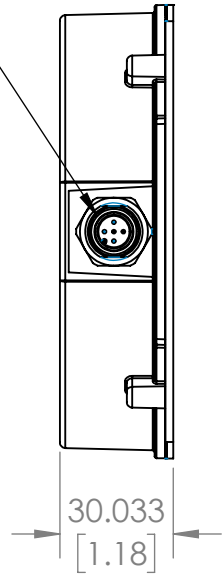
| REVISIONS | | | |
|-----------|-------------|------|--------|
| REV. | DESCRIPTION | DATE | DCN NO |
| | | | |
| | | | |

4X ϕ .19 x .31 OBROUND

M12, 5 PIN CONNECTOR, MALE



ϕ 52.121
[2.05]



FOR REFERENCE ONLY

PROPRIETARY AND CONFIDENTIAL
 THESE DRAWINGS AND SPECIFICATIONS ARE THE EXCLUSIVE PROPERTIES OF ADVANCED ILLUMINATION INCORPORATED ISSUED IN STRICT CONFIDENCE AND SHALL NOT, WITHOUT THE PRIOR WRITTEN PERMISSION OF ADVANCED ILLUMINATION INC BE REPRODUCED, COPIED OR USED FOR ANY PURPOSE WHATSOEVER EXCEPT THE MANUFACTURE OF ARTICLES FOR ADVANCED ILLUMINATION INC

UNIT WEIGHT = 0.380 lbs

| | | | | | |
|--------------|---------|---|------|------|---|
| CUT USING: - | | UNLESS OTHERWISE SPECIFIED: SURFACE SHOULD BE FREE OF SCRATCHES, BURRS, AND DENTS DIMENSIONS ARE IN: INCHES <u>TOLERANCES</u> FRACTIONAL \pm 1/16 ANGULAR: MACH \pm 1 BEND \pm 1 TWO PLACE DECIMAL \pm .010 THREE PLACE DECIMAL \pm .005 MAKE FROM - | DATE | NAME | ADVANCED ILLUMINATION 440 STATE GARAGE ROAD, ROCHESTER, VERMONT 05767 TITLE: DRAWING, INSTALLATION, RL-S052120X-XXX SIZE DWG. NO. REV A RL-S052120X-XXX - SCALE: NTS C CODE: - SHEET 1 OF 1 |
| | | | - | - | |
| | | | -- | -- | |
| | | | -- | -- | |
| | | | - | - | |
| NEXT ASSY | USED ON | FINISH | | | |
| APPLICATION | | | | | |