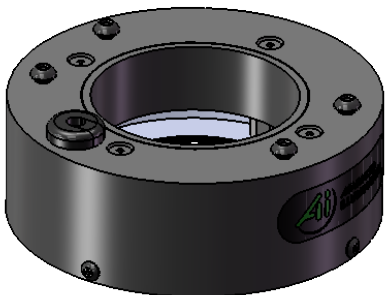
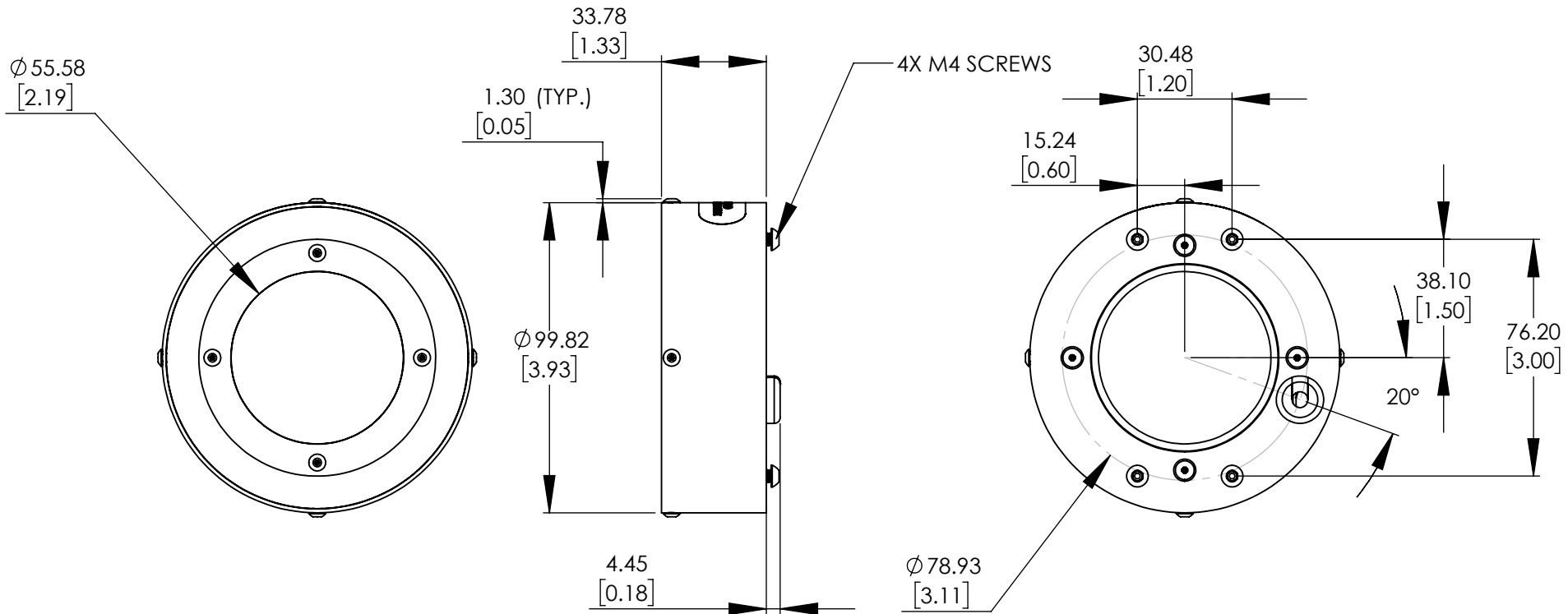


REVISIONS			
REV.	DESCRIPTION	DATE	DCN NO



FOR REFERENCE ONLY

PROPRIETARY AND CONFIDENTIAL
 THESE DRAWINGS AND SPECIFICATIONS ARE THE EXCLUSIVE PROPERTIES OF ADVANCED ILLUMINATION INCORPORATED ISSUED IN STRICT CONFIDENCE AND SHALL NOT, WITHOUT THE PRIOR WRITTEN PERMISSION OF ADVANCED ILLUMINATION INC BE REPRODUCED, COPIED OR USED FOR ANY PURPOSE WHATSOEVER EXCEPT THE MANUFACTURE OF ARTICLES FOR ADVANCED ILLUMINATION INC

UNLESS OTHERWISE SPECIFIED:	DATE	NAME
SURFACE SHOULD BE FREE OF SCRATCHES, BURRS, AND DENTS	-	-
DIMENSIONS ARE IN: INCHES	--	--
<u>TOLERANCES</u>	--	--
FRACTIONAL: $\pm 1/16$		
ANGULAR: MACH ± 1 BEND ± 1		
TWO PLACE DECIMAL $\pm .010$		
THREE PLACE DECIMAL $\pm .005$		
MAKE FROM		

UNIT WEIGHT = 0.602 lbs

ADVANCED ILLUMINATION
 440 STATE GARAGE ROAD, ROCHESTER, VERMONT 05767

TITLE:
 DRAWING, INSTALLATION, RL5064

SIZE DWG. NO. REV
A RL5064 -

SCALE: NTS/C CODE: SHEET 1 OF 1