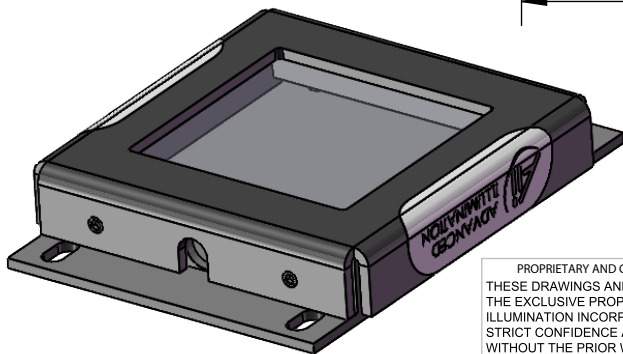
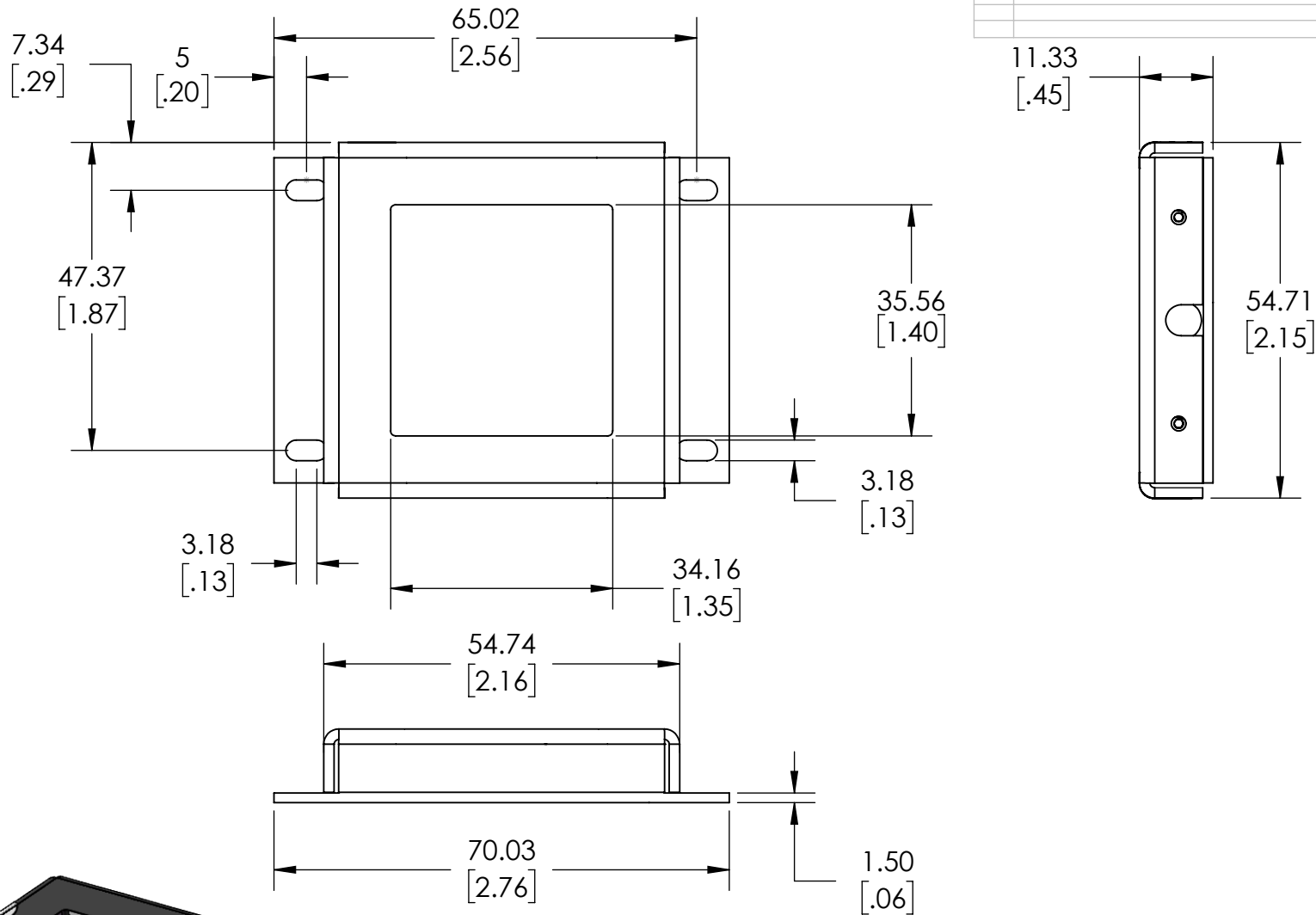


REVISIONS			
REV.	DESCRIPTION	DATE	DCN NO



FOR REFERENCE ONLY

PROPRIETARY AND CONFIDENTIAL
 THESE DRAWINGS AND SPECIFICATIONS ARE
 THE EXCLUSIVE PROPERTIES OF ADVANCED
 ILLUMINATION INCORPORATED ISSUED IN
 STRICT CONFIDENCE AND SHALL NOT,
 WITHOUT THE PRIOR WRITTEN PERMISSION
 OF ADVANCED ILLUMINATION INC BE
 REPRODUCED, COPIED OR USED FOR ANY
 PURPOSE WHATSOEVER EXCEPT FOR
 THE MANUFACTURE OF ARTICLES FOR
 ADVANCED ILLUMINATION INC

UNIT WEIGHT = 0.12 lbs

CUT USING: -		UNLESS OTHERWISE SPECIFIED:	DATE	NAME	ADVANCED ILLUMINATION 440 STATE GARAGE ROAD, ROCHESTER, VERMONT 05767 TITLE: DWG, INSTALLATION, BT050050
		SURFACE SHOULD BE FREE OF SCRATCHES, BURRS, AND DENTS	-	-	
		DIMENSIONS ARE IN: INCHES	--	--	
		TOLERANCES	--	--	
		FRACTIONAL: ± 1/16	MATERIAL		SIZE DWG. NO. REV A BT050050 -
		ANGULAR: MACH ± 1 BEND ± 1	FINISH		
		TWO PLACE DECIMAL ± .010	-		SCALE: NTS C CODE: - SHEET 1 OF 1
		THREE PLACE DECIMAL ± .005	-		
NEXT ASSY	USED ON	MAKE FROM			
APPLICATION					