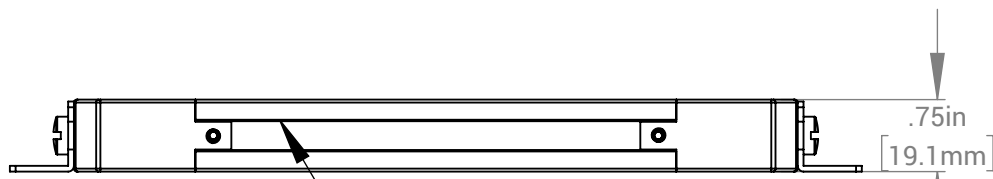
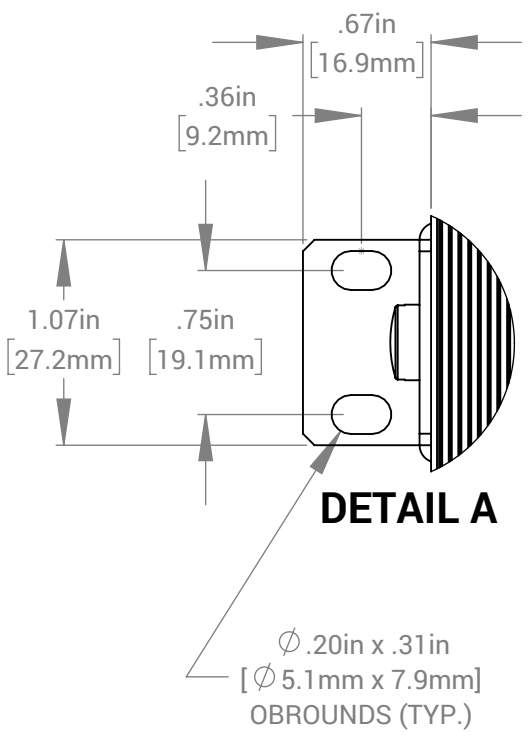
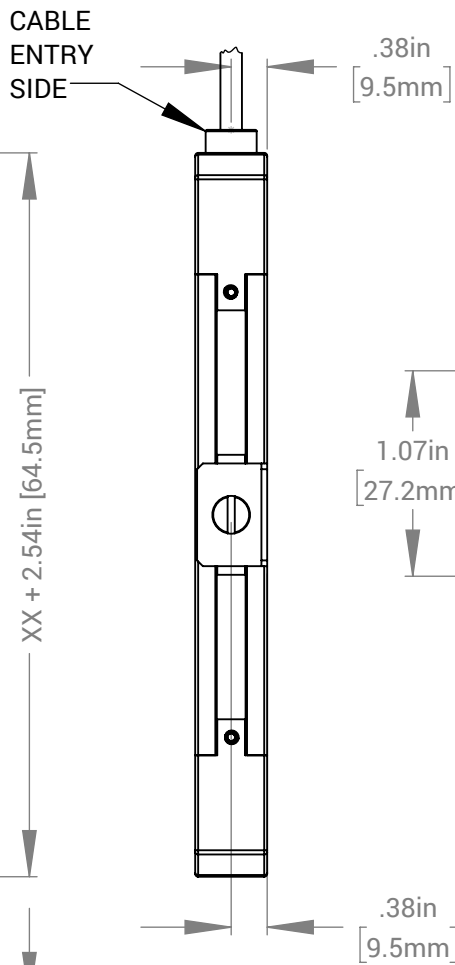
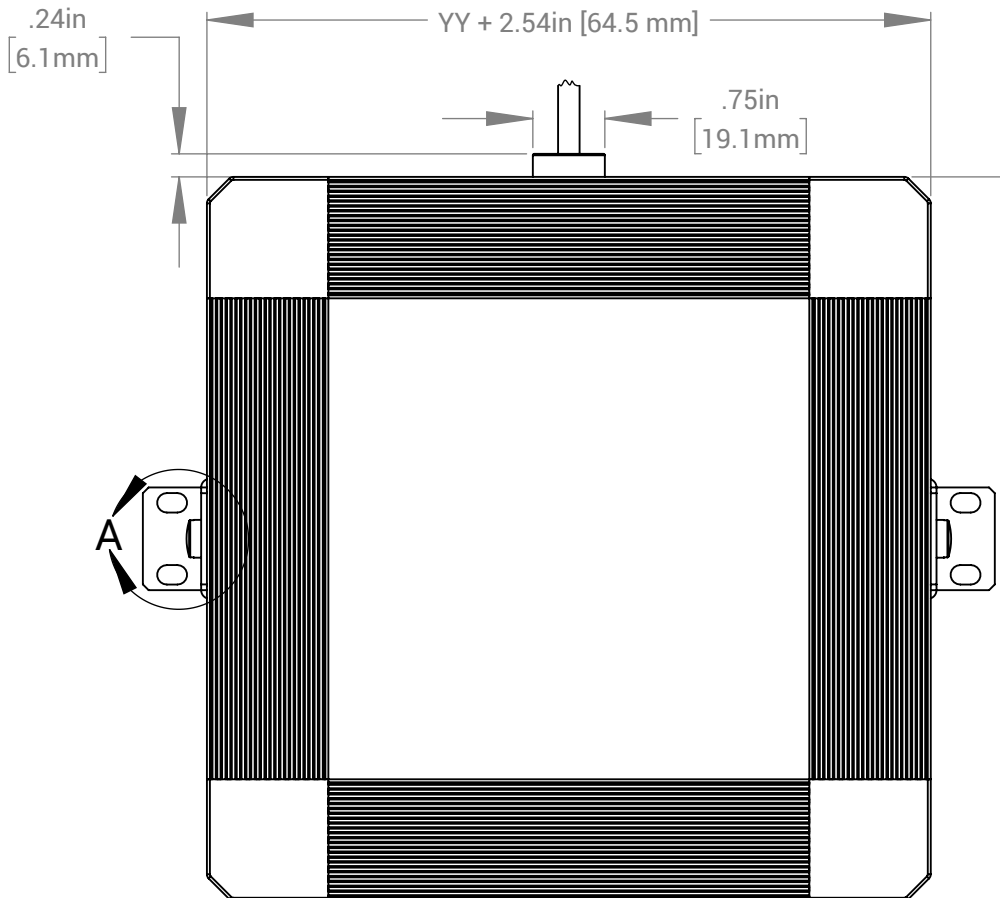
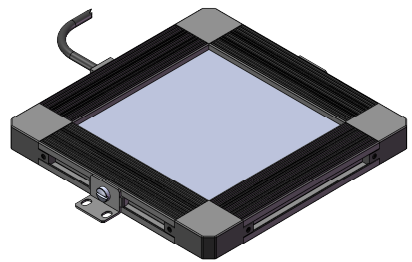


REVISIONS			
REV.	DESCRIPTION	DATE	DCN NO
-	FOR QUOTING PURPOSES ONLY		



M6 NUT CHANNEL ALL 4 SIDES

8" X 8" UNIT WIEGHT: 3.24 lbs



FOR REFERENCE ONLY

PROPRIETARY AND CONFIDENTIAL
 THESE DRAWINGS AND SPECIFICATIONS ARE THE EXCLUSIVE PROPERTIES OF ADVANCED ILLUMINATION INCORPORATED ISSUED IN STRICT CONFIDENCE AND SHALL NOT, WITHOUT THE PRIOR WRITTEN PERMISSION OF ADVANCED ILLUMINATION INC BE REPRODUCED, COPIED OR USED FOR ANY PURPOSE WHATSOEVER EXCEPT THE MANUFACTURE OF ARTICLES FOR ADVANCED ILLUMINATION INC

CUT USING: -		UNLESS OTHERWISE SPECIFIED:		DATE	NAME	 440 STATE GARAGE ROAD, ROCHESTER, VERMONT 05767
		SURFACE SHOULD BE FREE OF SCRATCHES, BURRS, AND DENTS		25-FEB-21	Ai	
		DIMENSIONS ARE IN: INCHES		--	--	
		TOLERANCES		--	--	
		FRACTIONAL ± 1/16		MATERIAL		TITLE: DRAWING, INSTALLATION, BXXXXY
		ANGULAR: MACH ± 1 BEND ± 1		FINISH		
		TWO PLACE DECIMAL ± .010		-		SIZE DWG. NO. REV A BXXXXY -
		THREE PLACE DECIMAL ± .005		-		SCALE: NTS C CODE: - SHEET 1 OF 1
NEXT ASSY	USED ON	MAKE FROM				
APPLICATION		-				