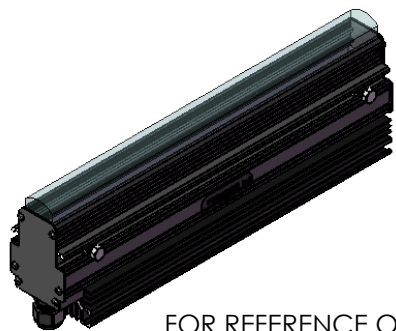
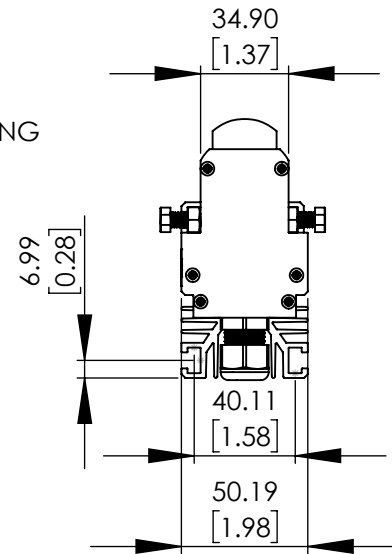
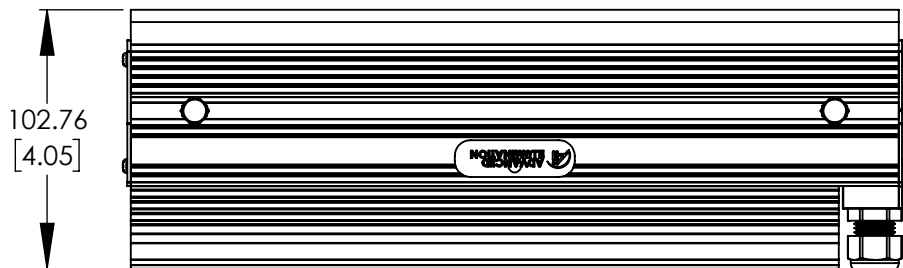
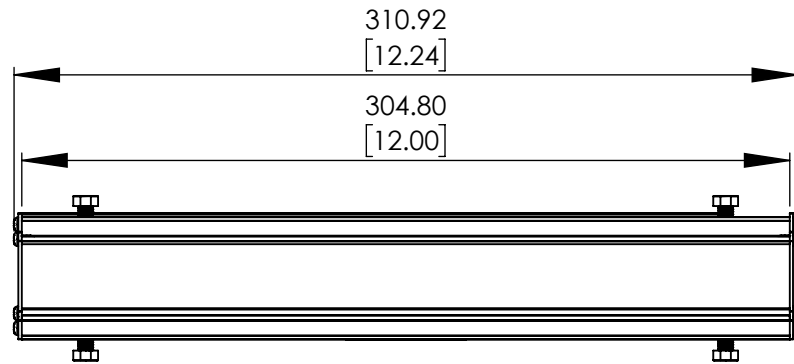


REVISIONS			
REV.	DESCRIPTION	DATE	DCN NO
		19-SEPT-13	K. KING



FOR REFERENCE ONLY

PROPRIETARY AND CONFIDENTIAL
 THESE DRAWINGS AND SPECIFICATIONS ARE THE EXCLUSIVE PROPERTIES OF ADVANCED ILLUMINATION INCORPORATED ISSUED IN STRICT CONFIDENCE AND SHALL NOT, WITHOUT THE PRIOR WRITTEN PERMISSION OF ADVANCED ILLUMINATION INC BE REPRODUCED, COPIED OR USED FOR ANY PURPOSE WHATSOEVER EXCEPT THE MANUFACTURE OF ARTICLES FOR ADVANCED ILLUMINATION INC

DATE	NAME
-	-
--	--
--	--
MATERIAL	
-	
FINISH	
-	

UNLESS OTHERWISE SPECIFIED:	
SURFACE SHOULD BE FREE OF SCRATCHES, BURRS, AND DENTS	
DIMENSIONS ARE IN: INCHES	
<u>TOLERANCES</u>	
FRACTIONAL: 1/16	
ANGULAR: MACH ± 1 BEND ± 1	
TWO PLACE DECIMAL ± .010	
THREE PLACE DECIMAL ± .005	
MAKE FROM	
-	

NEXT ASSY	USED ON
APPLICATION	

UNIT WEIGHT: 3.50 LBS

ADVANCED ILLUMINATION
 440 STATE GARAGE ROAD, ROCHESTER, VERMONT 05767

TITLE:
 DRAWING, INSTALLATION,
 LL167-12 E

SIZE	DWG. NO.	REV
A	LL167-12 E	-

SCALE: NTS/C CODE:	SHEET 1 OF 1
--------------------	--------------