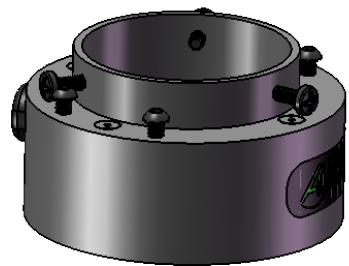
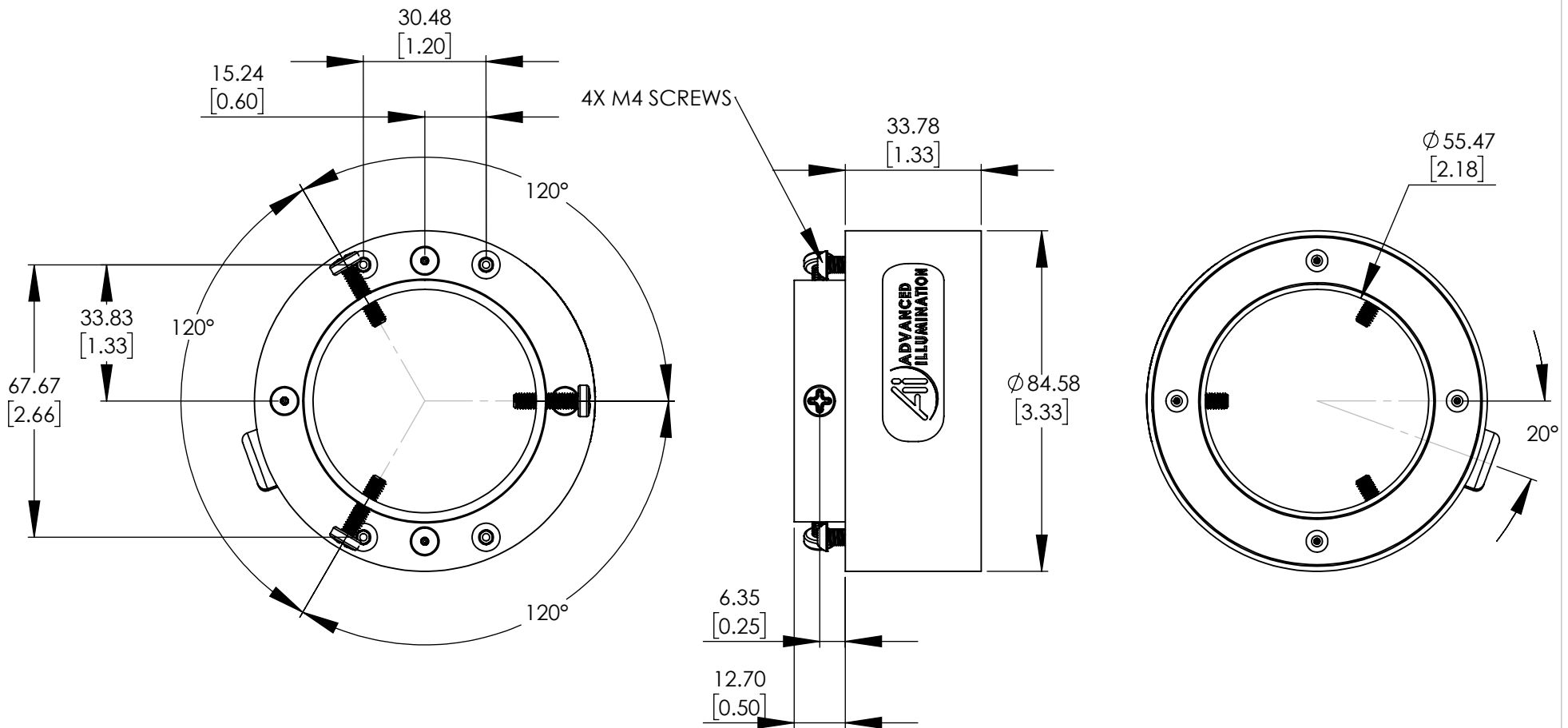


REVISIONS			
REV.	DESCRIPTION	DATE	DCN NO



FOR REFERENCE ONLY

PROPRIETARY AND CONFIDENTIAL
 THESE DRAWINGS AND SPECIFICATIONS ARE THE EXCLUSIVE PROPERTIES OF ADVANCED ILLUMINATION INCORPORATED ISSUED IN STRICT CONFIDENCE AND SHALL NOT, WITHOUT THE PRIOR WRITTEN PERMISSION OF ADVANCED ILLUMINATION INC BE REPRODUCED, COPIED OR USED FOR ANY PURPOSE WHATSOEVER EXCEPT THE MANUFACTURE OF ARTICLES FOR ADVANCED ILLUMINATION INC

UNIT WEIGHT = 0.285 lbs

UNLESS OTHERWISE SPECIFIED:		DATE	NAME	ADVANCED ILLUMINATION 440 STATE GARAGE ROAD, ROCHESTER, VERMONT 05767 TITLE: DRAWING, INSTALLATION, RL1424B SIZE DWG. NO. REV A RL1424B - SCALE: NTS/C CODE: SHEET 1 OF 1
SURFACE SHOULD BE FREE OF SCRATCHES, BURRS, AND DENTS		DRAWN	-	
DIMENSIONS ARE IN: INCHES		CHECKED	--	
TOLERANCES		APPROVED	--	
FRACTIONAL: 1/16		MATERIAL		
ANGULAR: MACH ± 1 BEND ± 1		-		
TWO PLACE DECIMAL ± .010		FINISH		
THREE PLACE DECIMAL ± .005		-		
NEXT ASSY	USED ON	MAKE FROM		
APPLICATION		-		