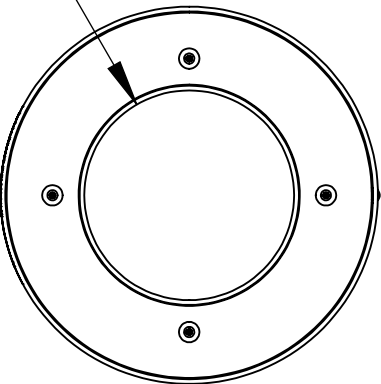
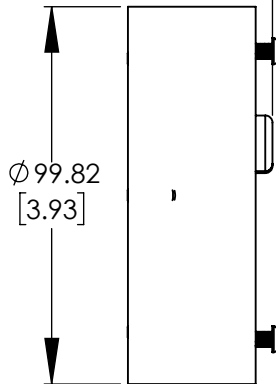


REVISIONS			
REV.	DESCRIPTION	DATE	DCN NO

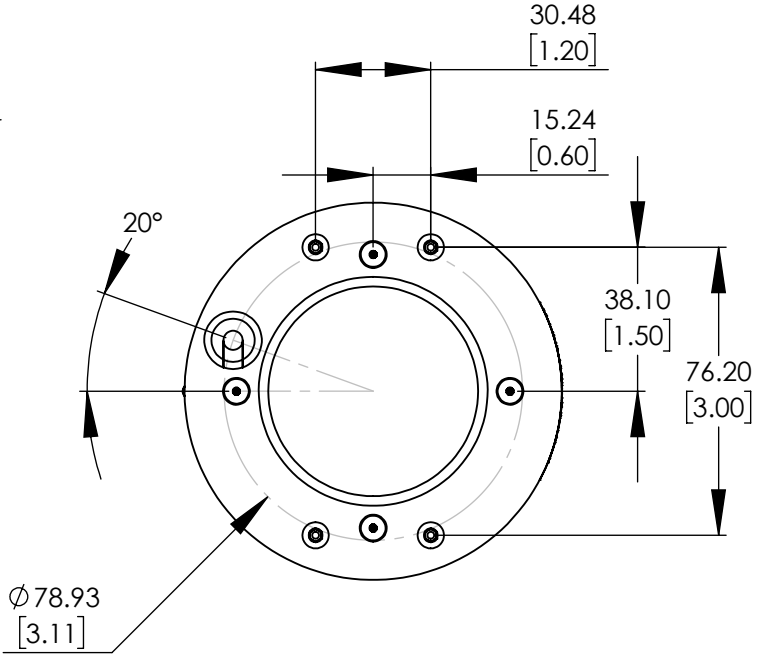
Ø 55.47  
[2.18]



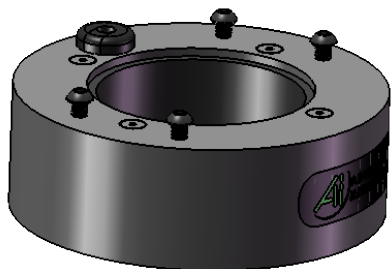
33.78 [1.33]      4.45 [0.18]



Ø 99.82  
[3.93]



4X M4 MOUNTING SCREWS



FOR REFERENCE ONLY

**PROPRIETARY AND CONFIDENTIAL**  
 THESE DRAWINGS AND SPECIFICATIONS ARE THE EXCLUSIVE PROPERTIES OF ADVANCED ILLUMINATION INCORPORATED ISSUED IN STRICT CONFIDENCE AND SHALL NOT, WITHOUT THE PRIOR WRITTEN PERMISSION OF ADVANCED ILLUMINATION INC BE REPRODUCED, COPIED OR USED FOR ANY PURPOSE WHATSOEVER EXCEPT THE MANUFACTURE OF ARTICLES FOR ADVANCED ILLUMINATION INC

UNLESS OTHERWISE SPECIFIED:		DATE	NAME
SURFACE SHOULD BE FREE OF SCRATCHES, BURRS, AND DENTS		-	-
DIMENSIONS ARE IN: INCHES		--	--
<u>TOLERANCES</u>		--	--
FRACTIONAL ± 1/16		MATERIAL	
ANGULAR: MACH ± 1 BEND ± 1		-	
TWO PLACE DECIMAL ± .010		FINISH	
THREE PLACE DECIMAL ± .005		-	
MAKE FROM		-	
NEXT ASSY	USED ON	-	
APPLICATION		-	

**UNIT WEIGHT = 0.425 lbs**

**ADVANCED ILLUMINATION**  
 440 STATE GARAGE ROAD, ROCHESTER, VERMONT 05767

TITLE:  
 DRAWING, INSTALLATION, RL4260

SIZE DWG. NO. REV  
**A** RL4260 -

SCALE: NTS/C CODE: SHEET 1 OF 1