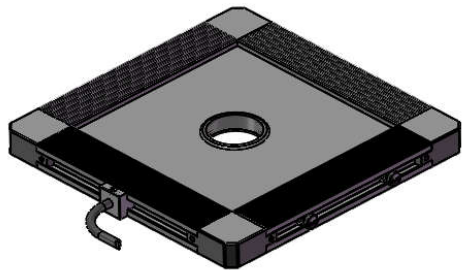
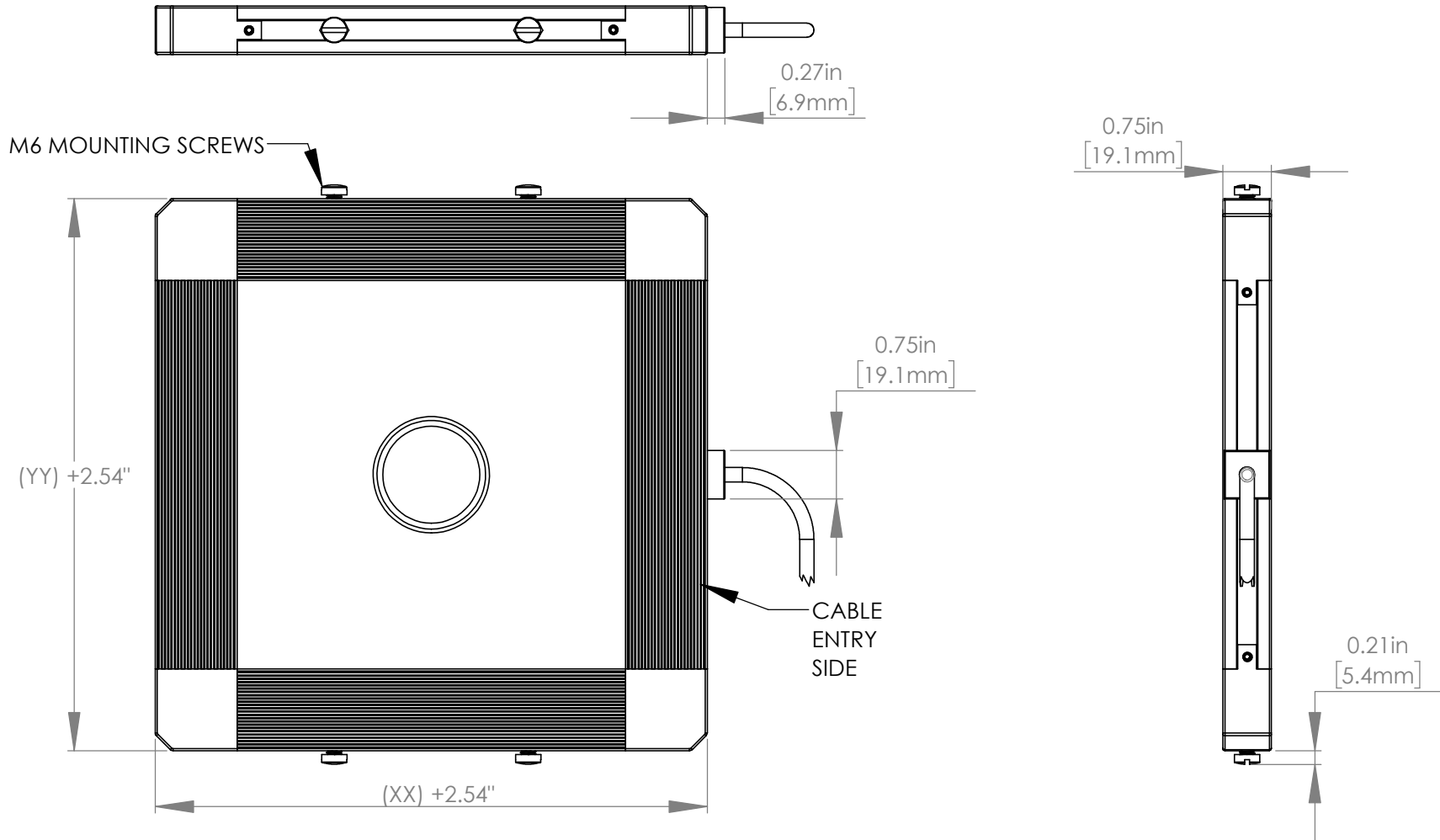


FOR QUOTING PURPOSES ONLY

REVISIONS			
REV.	DESCRIPTION	DATE	DCN NO
-	INITIAL RELEASE	08-OCT-13	K.KING
01	UPDATED: TEMPLATE AND ADD CABLE CALLOUT	25-MAR-20	T.MILLS



FOR REFERENCE ONLY

PROPRIETARY AND CONFIDENTIAL
 THESE DRAWINGS AND SPECIFICATIONS ARE THE EXCLUSIVE PROPERTIES OF ADVANCED ILLUMINATION INCORPORATED ISSUED IN STRICT CONFIDENCE AND SHALL NOT, WITHOUT THE PRIOR WRITTEN PERMISSION OF ADVANCED ILLUMINATION INC BE REPRODUCED, COPIED OR USED FOR ANY PURPOSE WHATSOEVER EXCEPT THE MANUFACTURE OF ARTICLES FOR ADVANCED ILLUMINATION INC

CUT USING: -		UNLESS OTHERWISE SPECIFIED:		DATE	NAME	ADVANCED ILLUMINATION 440 STATE GARAGE ROAD, ROCHESTER, VERMONT 05767
		SURFACE SHOULD BE FREE OF SCRATCHES, BURRS, AND DENTS		08-OCT-13	K. KING	
		DIMENSIONS ARE IN: INCHES		CHECKED	--	TITLE: DRAWING, INSTALLATION, FXXXXY
		<u>TOLERANCES</u>		APPROVED	--	
		FRACTIONAL $\pm 1/16$		MATERIAL		SIZE DWG. NO. REV A FXXXXY 01
		ANGULAR: MACH ± 1 BEND ± 1		AS NOTED ON INDIVIDUAL DRWS		
		TWO PLACE DECIMAL $\pm .010$		FINISH		SCALE: NTS/C CODE: - SHEET 1 OF 1
		THREE PLACE DECIMAL $\pm .005$		AS NOTED ON INDIVIDUAL DRWS		
NEXT ASSY	USED ON	MAKE FROM				
APPLICATION						