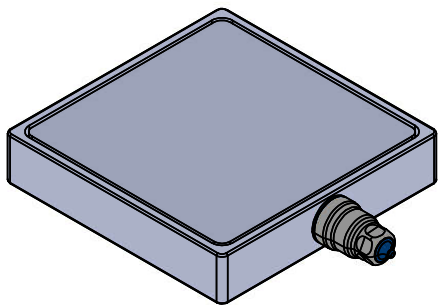
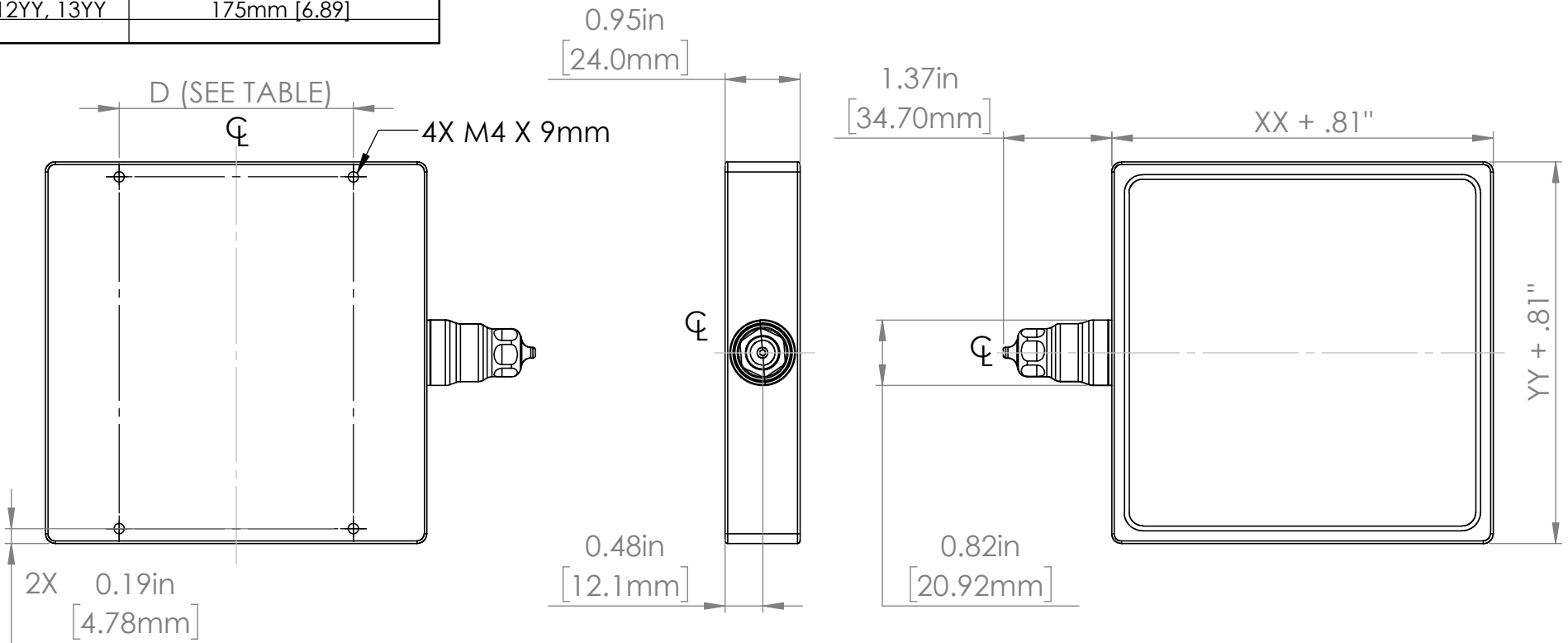


TABULATION TABLE	
CONFIG.	MOUNTING HOLE DISTANCE CENTER TO CENTER (D)
02YY, 03YY	50mm [1.97]
04YY, 05YY	75mm [2.95]
06YY, 07YY	100mm [3.94]
08YY, 09YY	125mm [4.92]
10YY, 11YY	150mm [5.90]
12YY, 13YY	175mm [6.89]

REVISIONS			
REV.	DESCRIPTION	DATE	DCN NO
-	FOR QUOTING PURPOSES ONLY		
01	ADDED: 02YY & 03YY TO TABLE AND CONFIGS.	16-OCT-20	TAM



FOR REFERENCE ONLY

PROPRIETARY AND CONFIDENTIAL
 THESE DRAWINGS AND SPECIFICATIONS ARE THE EXCLUSIVE PROPERTIES OF ADVANCED ILLUMINATION INCORPORATED ISSUED IN STRICT CONFIDENCE AND SHALL NOT, WITHOUT THE PRIOR WRITTEN PERMISSION OF ADVANCED ILLUMINATION INC BE REPRODUCED, COPIED OR USED FOR ANY PURPOSE WHATSOEVER EXCEPT FOR THE MANUFACTURE OF ARTICLES FOR ADVANCED ILLUMINATION INC

CUT USING: -		UNLESS OTHERWISE SPECIFIED:	DATE	NAME	 ADVANCED ILLUMINATION 440 STATE GARAGE ROAD, ROCHESTER, VERMONT 05767
		SURFACE SHOULD BE FREE OF SCRATCHES, BURRS, AND DENTS	18-APR-19	T.MILLS	
		DIMENSIONS ARE IN: INCHES	--	--	
		<u>TOLERANCES</u>	APPROVED	--	
		FRACTIONAL \pm 1/16	MATERIAL AS NOTED ON INDIVIDUAL DRWS		
		ANGULAR: MACH \pm 1 BEND \pm 1	FINISH AS NOTED ON INDIVIDUAL DRWS		
		TWO PLACE DECIMAL \pm .010			
		THREE PLACE DECIMAL \pm .005			
NEXT ASSY	USED ON	MAKE FROM			
APPLICATION					
			TITLE: DRAWING, INSTALLATION, BL245-XXYY		
			SIZE DWG. NO. A BL245-XXYY	REV 01	
			SCALE: NTS/C CODE:	SHEET 1 OF 1	