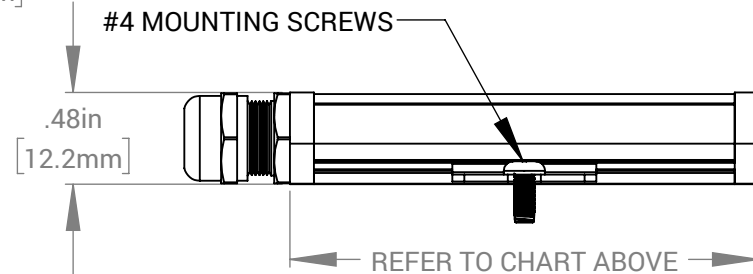
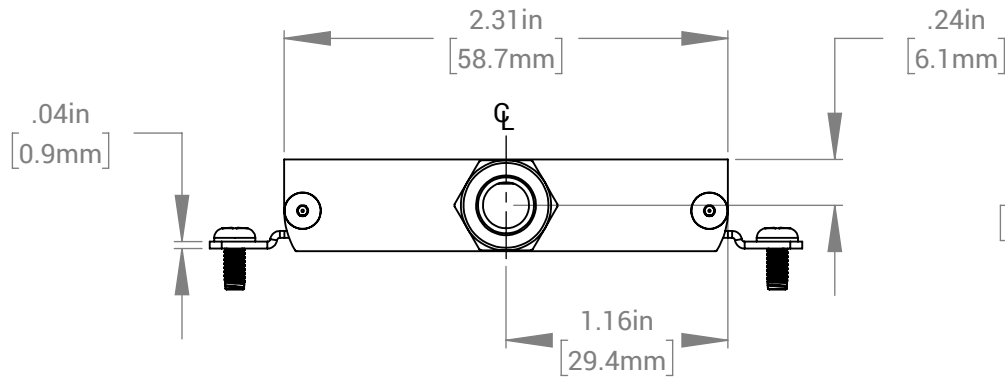
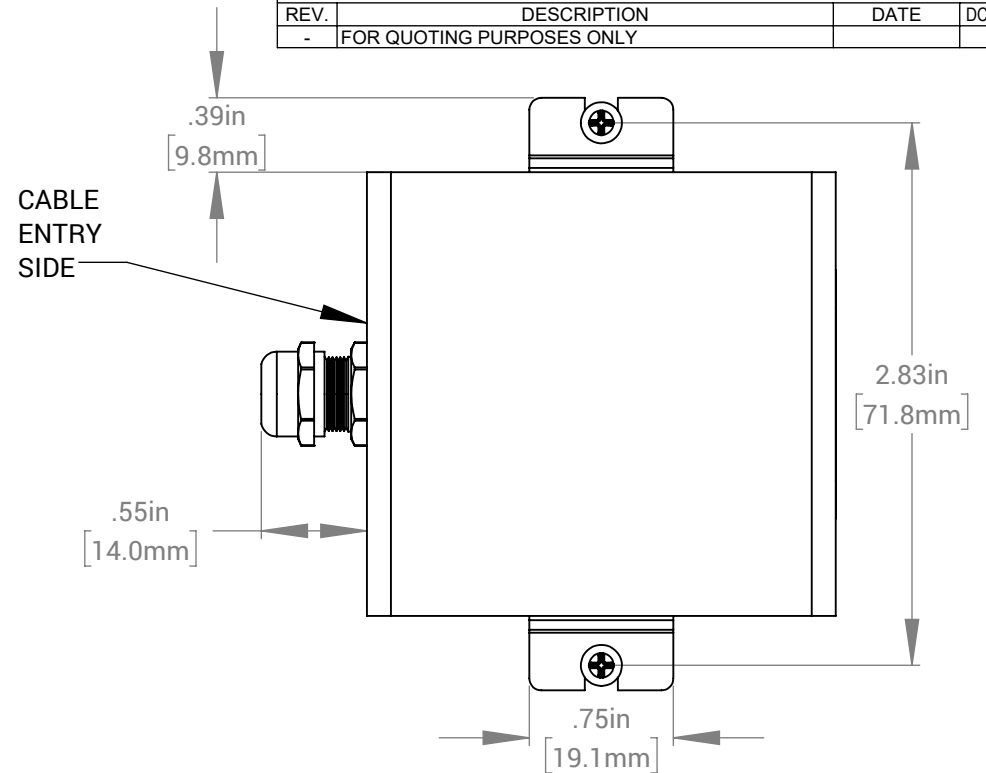


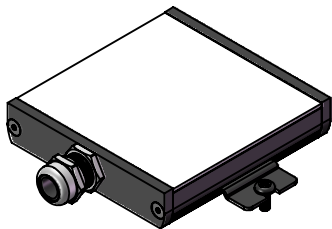
BL128 LENGTH MATRIX

PART #	LENGTH IN INCHES (mm)
BL12801	1.44 (36.6 mm)
BL12802	2.44 (62.0 mm)
BL12803	3.44 (87.4 mm)
BL12804	4.44 (112.8 mm)
BL12805	5.44 (138.2 mm)
BL12806	6.44 (163.6 mm)
BL12807	7.44 (189.0 mm)
BL12808	8.44 (214.4 mm)
BL12809	9.44 (239.8 mm)
BL12810	10.44 (265.2 mm)
BL12811	11.44 (290.6 mm)
BL12812	12.44 (316.0 mm)
BL12813	13.44 (341.4 mm)
BL12814	14.44 (366.8 mm)

REVISIONS			
REV.	DESCRIPTION	DATE	DCN NO
-	FOR QUOTING PURPOSES ONLY		



2" UNIT WEIGHT: 0.50 lbs



FOR REFERENCE ONLY

PROPRIETARY AND CONFIDENTIAL
 THESE DRAWINGS AND SPECIFICATIONS ARE THE EXCLUSIVE PROPERTIES OF ADVANCED ILLUMINATION INCORPORATED ISSUED IN STRICT CONFIDENCE AND SHALL NOT, WITHOUT THE PRIOR WRITTEN PERMISSION OF ADVANCED ILLUMINATION INC BE REPRODUCED, COPIED OR USED FOR ANY PURPOSE WHATSOEVER EXCEPT THE MANUFACTURE OF ARTICLES FOR ADVANCED ILLUMINATION INC

CUT USING: -	UNLESS OTHERWISE SPECIFIED: SURFACE SHOULD BE FREE OF SCRATCHES, BURRS, AND DENTS DIMENSIONS ARE IN: INCHES <u>TOLERANCES</u> FRACTIONAL: 1/16 ANGULAR: MACH ± 1 BEND ± 1 TWO PLACE DECIMAL ± .010 THREE PLACE DECIMAL ± .005 MAKE FROM	DATE 24-MAR-21	NAME Ai	<p>440 STATE GARAGE ROAD, ROCHESTER, VERMONT 05767</p>
NEXT ASSY	USED ON	CHECKED --	APPROVED --	
APPLICATION		MATERIAL		TITLE: DRAWING, INSTALLATION, BL128 (NONSEALED)
		FINISH		SIZE DWG. NO. REV A BL128 (NONSEALED) -
		SCALE: NTS C CODE: -		SHEET 1 OF 1