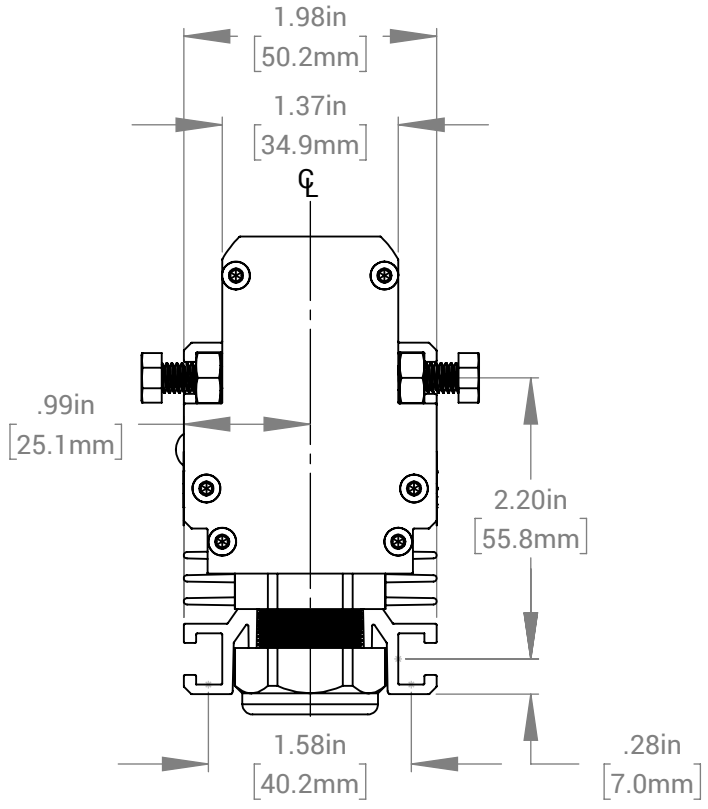
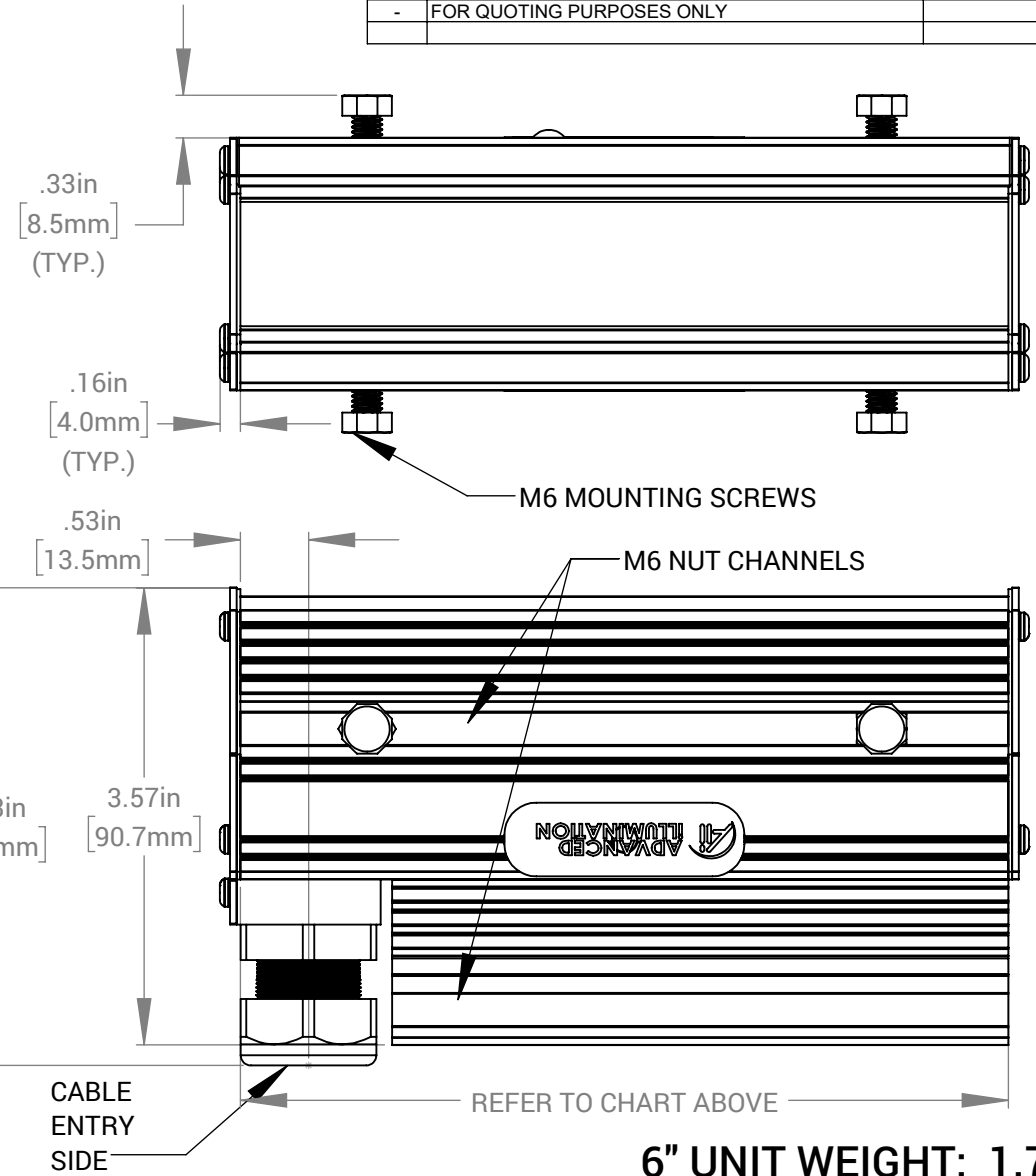


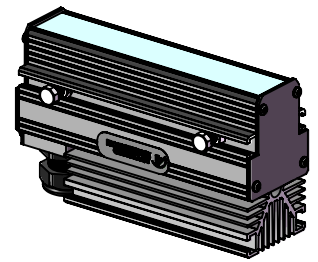
# BL138 LENGTH MATRIX

PART #	LENGTH IN INCHES (mm)
BL13803	3.0 (76 mm)
BL13806	6.0 (152 mm)
BL13812	12.0 (305 mm)
BL13818	18.0 (457 mm)
BL13824	24.0 (610 mm)
BL13830	30.0 (762 mm)
6" INCREMENTS UP TO MAX OF 90"	

REVISIONS			
REV.	DESCRIPTION	DATE	DCN NO
-	FOR QUOTING PURPOSES ONLY		



**6" UNIT WEIGHT: 1.7 lbs**



FOR REFERENCE ONLY

**PROPRIETARY AND CONFIDENTIAL**  
 THESE DRAWINGS AND SPECIFICATIONS ARE THE EXCLUSIVE PROPERTIES OF ADVANCED ILLUMINATION INCORPORATED ISSUED IN STRICT CONFIDENCE AND SHALL NOT, WITHOUT THE PRIOR WRITTEN PERMISSION OF ADVANCED ILLUMINATION INC BE REPRODUCED, COPIED OR USED FOR ANY PURPOSE WHATSOEVER EXCEPT THE MANUFACTURE OF ARTICLES FOR ADVANCED ILLUMINATION INC

CUT USING:		UNLESS OTHERWISE SPECIFIED:		DATE	NAME	 440 STATE GARAGE ROAD, ROCHESTER, VERMONT 05767
		SURFACE SHOULD BE FREE OF SCRATCHES, BURRS, AND DENTS		04-FEB-21	Ai	
		DIMENSIONS ARE IN: INCHES		CHECKED	--	TITLE: DRAWING, INSTALLATION, BL138
		<u>TOLERANCES</u>		APPROVED	--	
NEXT ASSY		USED ON		MATERIAL		SIZE DWG. NO. REV <b>A</b> BL138 -
APPLICATION				FINISH		
		FRACTIONAL: ± 1/16		-		SCALE: NTS/C CODE: -
		ANGULAR: MACH ± 1 BEND ± 1		-		SHEET 1 OF 1
		TWO PLACE DECIMAL ± .010		-		
		THREE PLACE DECIMAL ± .005		-		
		MAKE FROM		-		