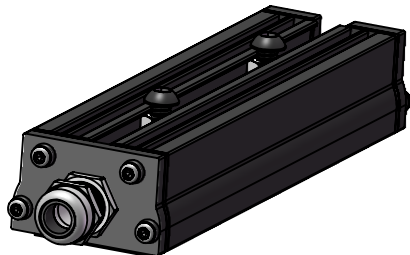
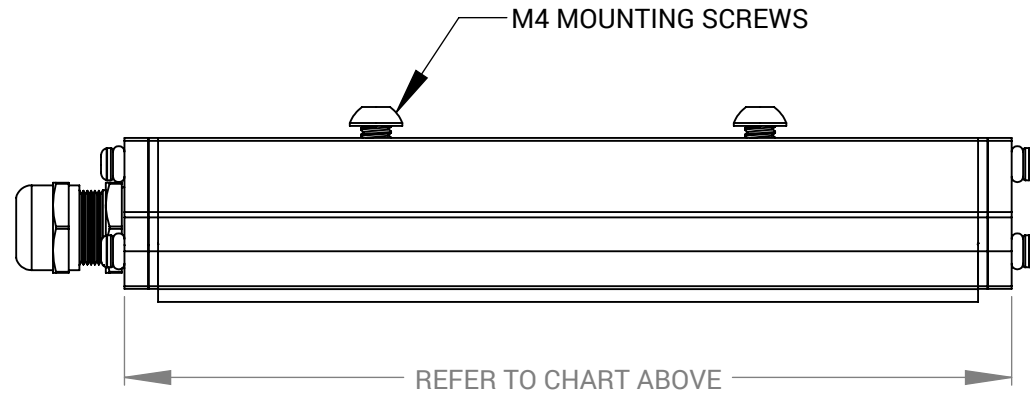
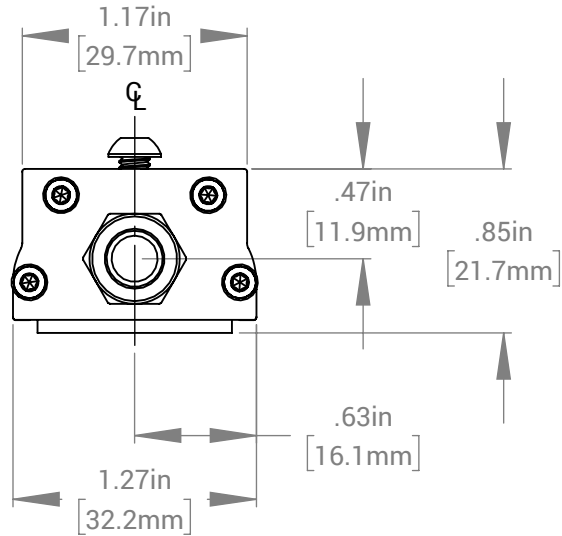
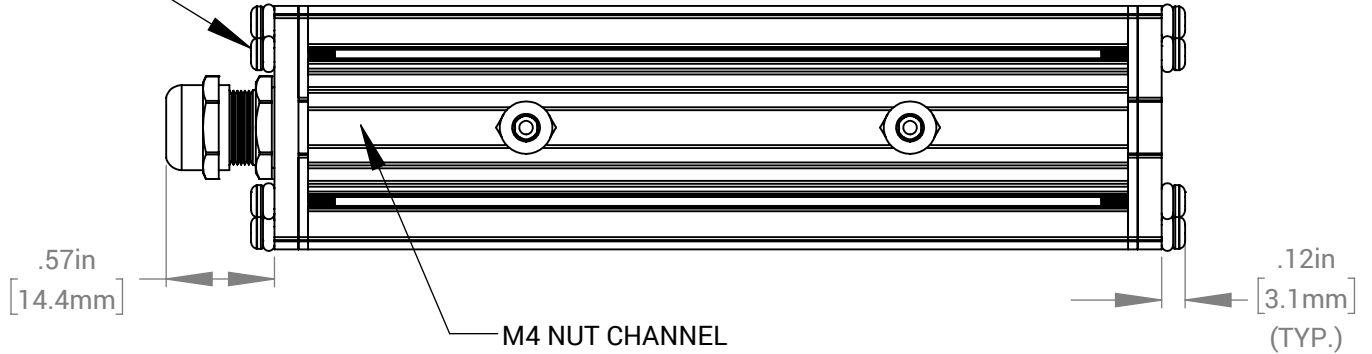


### BL313 (SEALED) LENGTH MATRIX

PART #	LENGTH IN INCHES (mm)
BL31302	2.62 (66.60 mm)
BL31304	4.62 (117.3 mm)
BL31306	6.62 (168.2 mm)
BL31308	8.62 (219.0 mm)
BL31310	10.62 (269.8 mm)
BL31312	12.62 (320.6 mm)
BL31314	14.62 (371.4 mm)
BL31316	16.62 (422.2 mm)
BL31318	18.62 (473.0 mm)
BL31320	20.62 (523.8 mm)

REVISIONS			
REV.	DESCRIPTION	DATE	DCN NO
-	FOR QUOTING PURPOSES ONLY		

CABLE ENTRY SIDE



FOR REFERENCE ONLY

**PROPRIETARY AND CONFIDENTIAL**  
 THESE DRAWINGS AND SPECIFICATIONS ARE THE EXCLUSIVE PROPERTIES OF ADVANCED ILLUMINATION INCORPORATED ISSUED IN STRICT CONFIDENCE AND SHALL NOT, WITHOUT THE PRIOR WRITTEN PERMISSION OF ADVANCED ILLUMINATION INC BE REPRODUCED, COPIED OR USED FOR ANY PURPOSE WHATSOEVER EXCEPT THE MANUFACTURE OF ARTICLES FOR ADVANCED ILLUMINATION INC

**4" UNIT WEIGHT: .47 lbs**

CUT USING: -		UNLESS OTHERWISE SPECIFIED:	DATE	NAME	 440 STATE GARAGE ROAD, ROCHESTER, VERMONT 05767
		SURFACE SHOULD BE FREE OF SCRATCHES, BURRS, AND DENTS	30-OCT-20	T.MILLS	
		DIMENSIONS ARE IN: INCHES	CHECKED	--	TITLE: DRAWING, INSTALLATION, BL313 (SEALED)
		TOLERANCES	APPROVED	--	
		FRACTIONAL: 1/16	MATERIAL		SIZE DWG. NO. REV <b>A</b> BL313 (SEALED) -
		ANGULAR: MACH ± 1 BEND ± 1	FINISH		
		TWO PLACE DECIMAL ± .010			SCALE: NTS C CODE: - SHEET 1 OF 1
		THREE PLACE DECIMAL ± .005			
NEXT ASSY	USED ON	MAKE FROM			
APPLICATION					