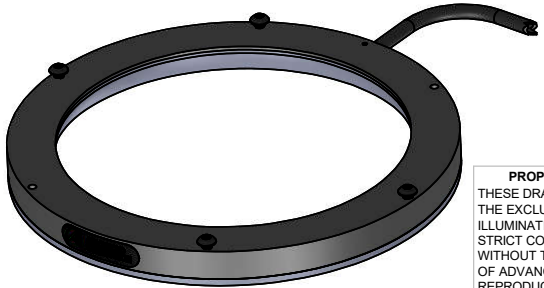
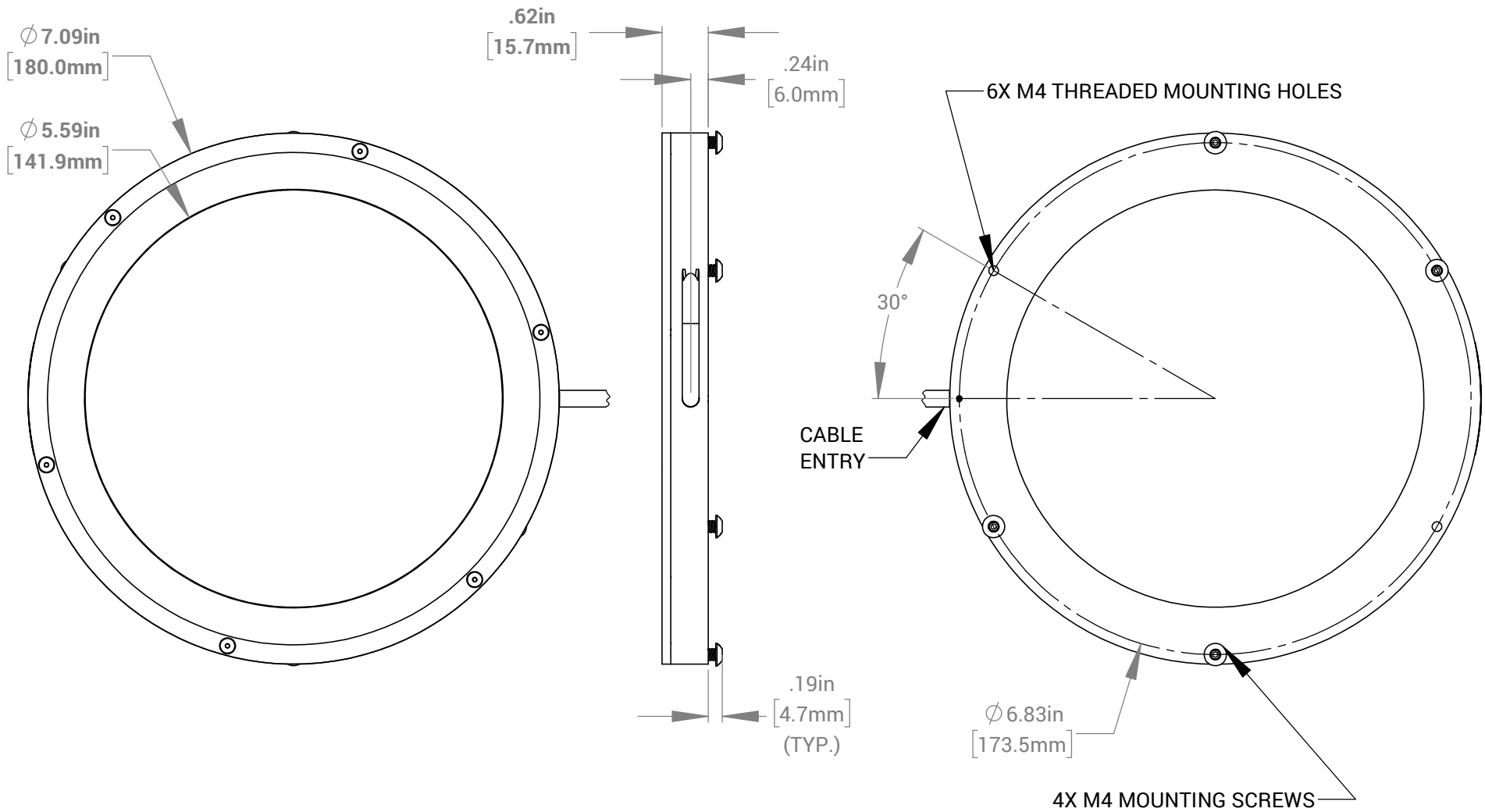


REVISIONS			
REV.	DESCRIPTION	DATE	DCN NO
-	FOR QUOTING PURPOSES ONLY		



FOR REFERENCE ONLY

**PROPRIETARY AND CONFIDENTIAL**  
 THESE DRAWINGS AND SPECIFICATIONS ARE THE EXCLUSIVE PROPERTIES OF ADVANCED ILLUMINATION INCORPORATED ISSUED IN STRICT CONFIDENCE AND SHALL NOT, WITHOUT THE PRIOR WRITTEN PERMISSION OF ADVANCED ILLUMINATION INC BE REPRODUCED, COPIED OR USED FOR ANY PURPOSE WHATSOEVER EXCEPT THE MANUFACTURE OF ARTICLES FOR ADVANCED ILLUMINATION INC

**UNIT WEIGHT: 0.50 lbs**

CUT USING: -		UNLESS OTHERWISE SPECIFIED: SURFACE SHOULD BE FREE OF SCRATCHES, BURRS, AND DENTS DIMENSIONS ARE IN: INCHES <u>TOLERANCES</u> FRACTIONAL $\pm 1/16$ ANGULAR: MACH $\pm 1$ BEND $\pm 1$ TWO PLACE DECIMAL $\pm .010$ THREE PLACE DECIMAL $\pm .005$ MAKE FROM -	DRAWN	DATE	NAME	<b>ADVANCED ILLUMINATION</b> 440 STATE GARAGE ROAD, ROCHESTER, VERMONT 05767  <b>TITLE:</b> DRAWING, INSTALLATION, DF198-180  <b>SIZE</b> DWG. NO. REV <b>A</b> DF198-180 -  SCALE: NTS/C CODE: - SHEET 1 OF 1
			CHECKED	--	--	
			APPROVED	--	--	
			MATERIAL			
			FINISH			
NEXT ASSY	USED ON					
APPLICATION						