

LL163 LENGTH MATRIX

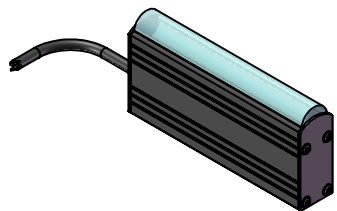
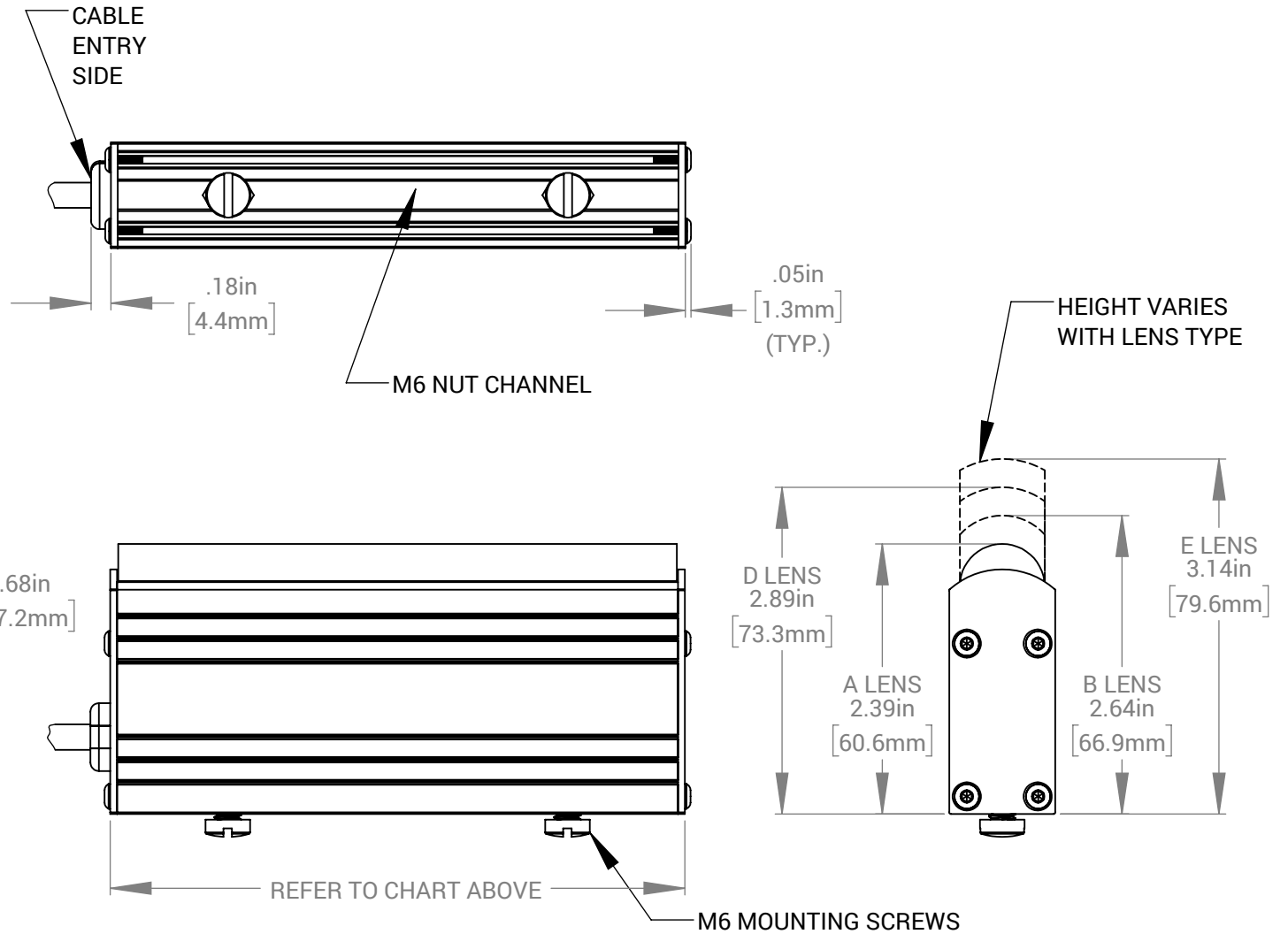
*LL2912, LL3024, AND LL3148 HAVE LEGACY PART NUMBERS

REVISIONS			
REV.	DESCRIPTION	DATE	DCN NO
-	FOR QUOTING PURPOSES ONLY		

PART #	LENGTH IN INCHES [mm]
LL163X006	1.97 [49.9 mm]
LL2912X*	3.52 [89.4 mm]
LL163X018	5.07 [128.9 mm]
LL23024X*	6.63 [168.4 mm]
LL163X030	8.18 [207.8 mm]
LL163X036	9.74 [247.3 mm]
LL163X042	11.29 [286.8 mm]
LL3148X*	12.84 [326.2 mm]
LL163X054	14.40 [365.7 mm]

1.554" INCREMENTS UP TO MAX OF 82.77"

X REFERS TO LENS TYPE: A,B,D,E



FOR REFERENCE ONLY

PROPRIETARY AND CONFIDENTIAL
 THESE DRAWINGS AND SPECIFICATIONS ARE THE EXCLUSIVE PROPERTIES OF ADVANCED ILLUMINATION INCORPORATED ISSUED IN STRICT CONFIDENCE AND SHALL NOT, WITHOUT THE PRIOR WRITTEN PERMISSION OF ADVANCED ILLUMINATION INC BE REPRODUCED, COPIED OR USED FOR ANY PURPOSE WHATSOEVER EXCEPT FOR THE MANUFACTURE OF ARTICLES FOR ADVANCED ILLUMINATION INC

CUT USING:		UNLESS OTHERWISE SPECIFIED:		DATE	NAME	 440 STATE GARAGE ROAD, ROCHESTER, VERMONT 05767
		SURFACE SHOULD BE FREE OF SCRATCHES, BURRS, AND DENTS		26-FEB-21	Ai	
		DIMENSIONS ARE IN: INCHES		CHECKED	--	TITLE: DRAWING INSTALLATION, LL163
		TOLERANCES		APPROVED	--	
		FRACTIONAL ± 1/16		MATERIAL		SIZE DWG. NO. REV A LL163 -
		ANGULAR: MACH ± 1 BEND ± 1		FINISH		
NEXT ASSY		USED ON		-		SCALE: NTS C CODE: - SHEET 1 OF 1
APPLICATION		-		-		

6" UNIT WEIGHT: .47 lbs