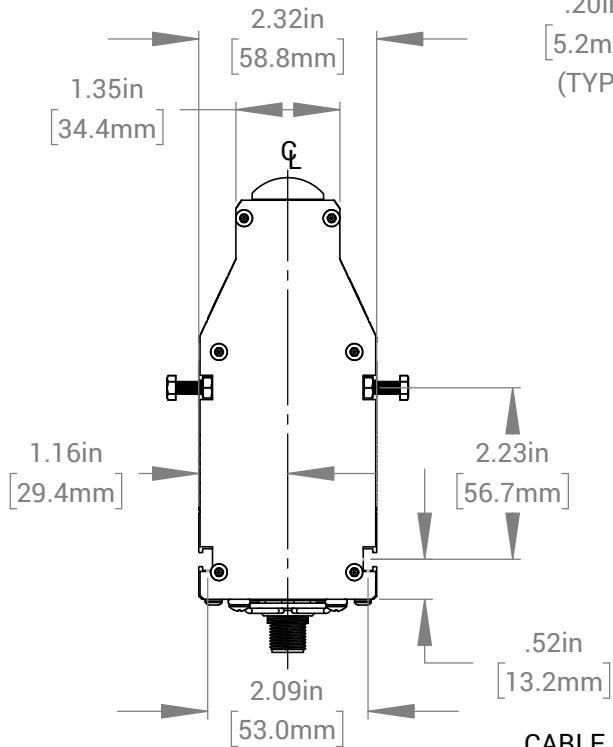
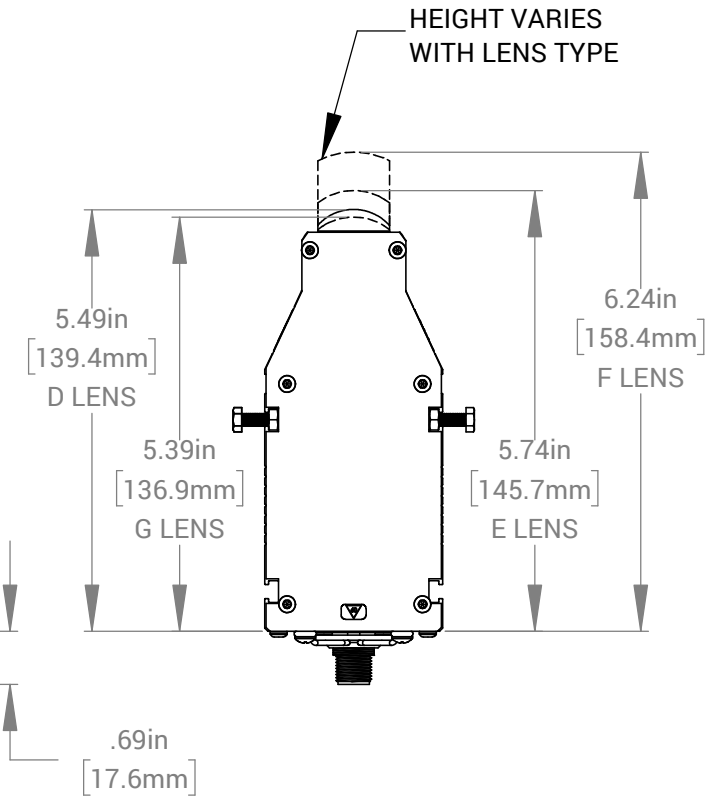
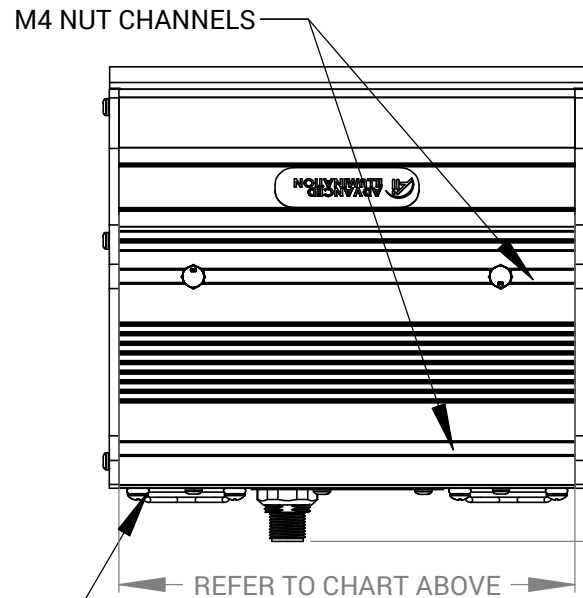
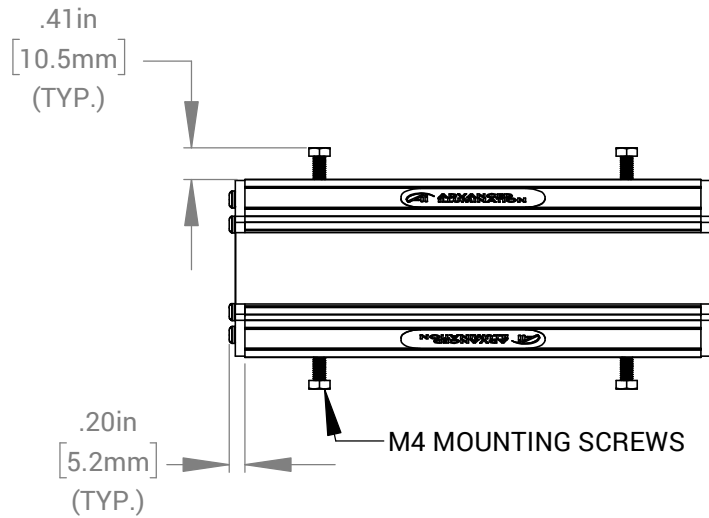
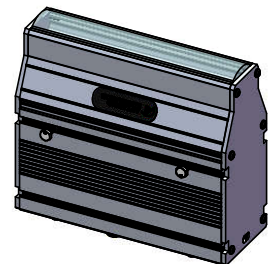


LL230 LENGTH MATRIX	
PART #	LENGTH IN INCHES (mm)
LL230X-0150	5.9 (151 mm)
LL230X-0300	11.9 (301 mm)
LL230X-0450	17.8 (452 mm)
LL230X-0600	23.8 (604 mm)
LL230X-0750	29.7 (754 mm)
LL230X-0900	35.6 (904 mm)
5.9" INCREMENTS UP TO A MAX OF 95"	

REVISIONS			
REV.	DESCRIPTION	DATE	DCN NO
-	FOR QUOTING PURPOSES ONLY		



6" UNIT WEIGHT: 4.59 lbs



FOR REFERENCE ONLY

PROPRIETARY AND CONFIDENTIAL
 THESE DRAWINGS AND SPECIFICATIONS ARE THE EXCLUSIVE PROPERTIES OF ADVANCED ILLUMINATION INCORPORATED ISSUED IN STRICT CONFIDENCE AND SHALL NOT, WITHOUT THE PRIOR WRITTEN PERMISSION OF ADVANCED ILLUMINATION INC BE REPRODUCED, COPIED OR USED FOR ANY PURPOSE WHATSOEVER EXCEPT THE MANUFACTURE OF ARTICLES FOR ADVANCED ILLUMINATION INC

CUT USING: -		UNLESS OTHERWISE SPECIFIED:		DATE	NAME	 ADVANCED ILLUMINATION 440 STATE GARAGE ROAD, ROCHESTER, VERMONT 05767
		SURFACE SHOULD BE FREE OF SCRATCHES, BURRS, AND DENTS		26-FEB-21	Ai	
		DIMENSIONS ARE IN: INCHES		CHECKED	--	TITLE: DRAWING, INSTALLATION, LL230 M12
		TOLERANCES		APPROVED	--	
		FRACTIONAL ± 1/16		MATERIAL	-	SIZE DWG. NO. REV A LL230 M12 -
		ANGULAR: MACH ± 1 BEND ± 1		FINISH	-	SCALE: NTS/C CODE: - SHEET 1 OF 1
		TWO PLACE DECIMAL ± .010				
		THREE PLACE DECIMAL ± .005				
		MAKE FROM				
NEXT ASSY	USED ON					
APPLICATION						