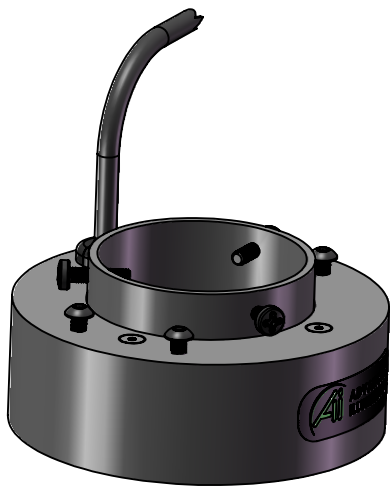
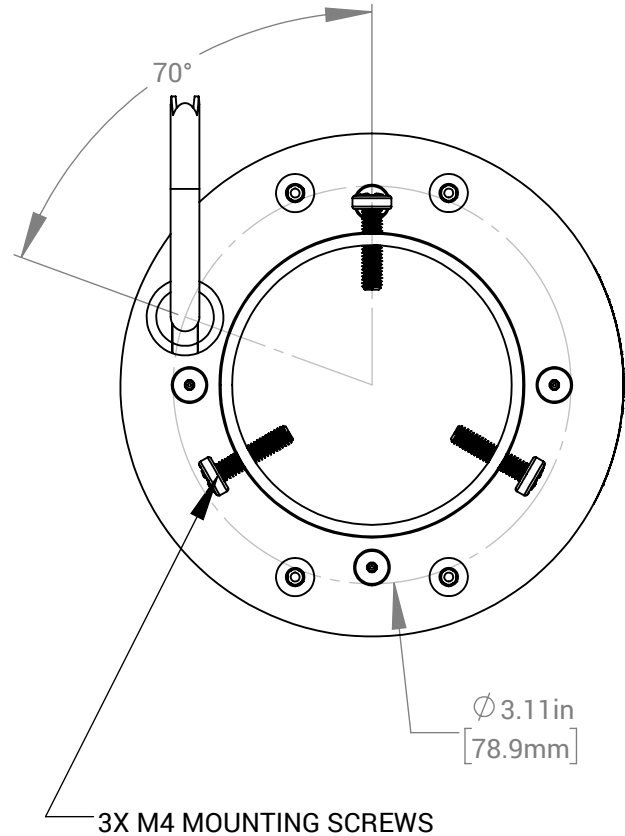
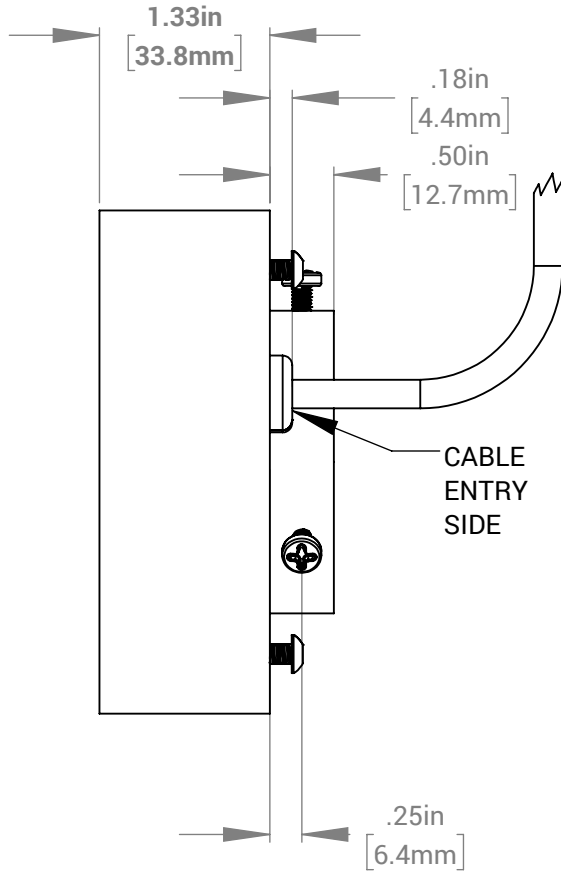
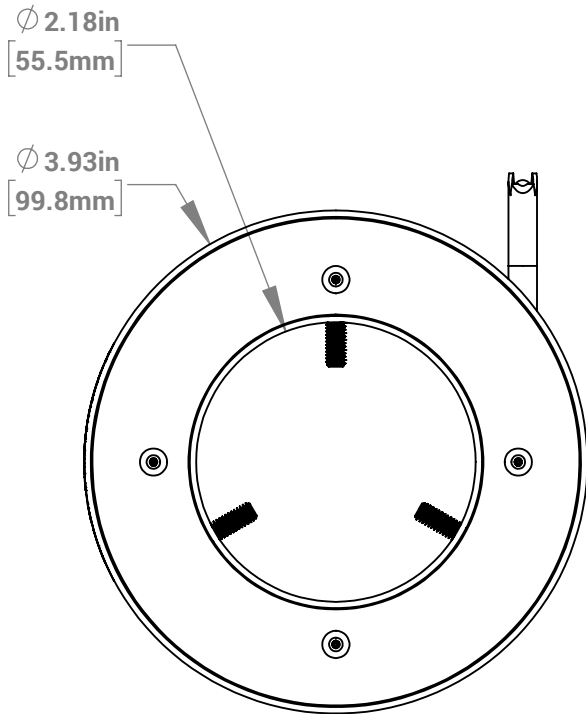


REVISIONS			
REV.	DESCRIPTION	DATE	DCN NO
-	FOR QUOTING PURPOSES ONLY		



FOR REFERENCE ONLY

PROPRIETARY AND CONFIDENTIAL
 THESE DRAWINGS AND SPECIFICATIONS ARE THE EXCLUSIVE PROPERTIES OF ADVANCED ILLUMINATION INCORPORATED ISSUED IN STRICT CONFIDENCE AND SHALL NOT, WITHOUT THE PRIOR WRITTEN PERMISSION OF ADVANCED ILLUMINATION INC BE REPRODUCED, COPIED OR USED FOR ANY PURPOSE WHATSOEVER EXCEPT THE MANUFACTURE OF ARTICLES FOR ADVANCED ILLUMINATION INC

CUT USING:	UNLESS OTHERWISE SPECIFIED:	DRAWN	DATE	NAME
	SURFACE SHOULD BE FREE OF SCRATCHES, BURRS, AND DENTS		26-FEB-21	Ai
	DIMENSIONS ARE IN: INCHES	CHECKED	--	--
	<u>TOLERANCES</u>	APPROVED	--	--
	FRACTIONAL ± 1/16	MATERIAL		
	ANGULAR: MACH ± 1 BEND ± 1			
	TWO PLACE DECIMAL ± .010	FINISH		
	THREE PLACE DECIMAL ± .005			
NEXT ASSY	USED ON			
	APPLICATION			

UNIT WEIGHT: 0.43 lbs

ADVANCED ILLUMINATION 440 STATE GARAGE ROAD, ROCHESTER, VERMONT 05767

TITLE: DRAWING, INSTALLATION, RL4260B

SIZE DWG. NO. REV
A RL4260B -

SCALE: NTS C CODE: - SHEET 1 OF 1